

SPEC SHEET: CF-ZXWFA

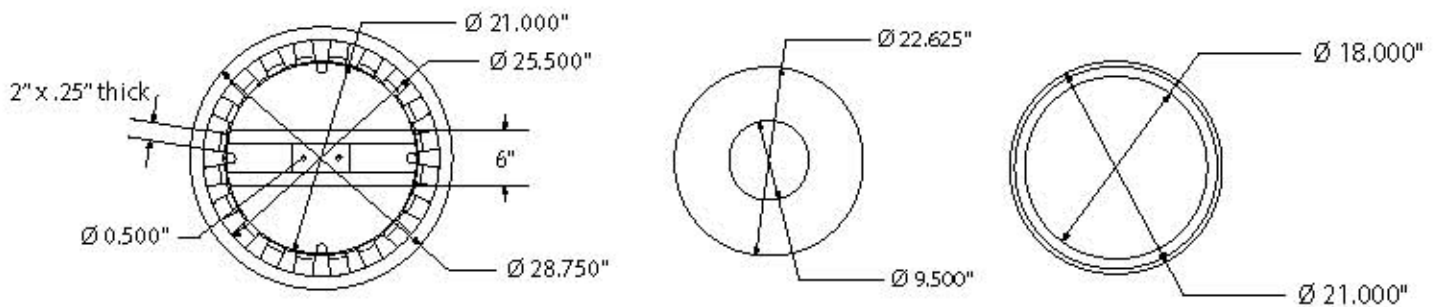
22 GALLON STEEL WELDED RECEPTACLE *portable*

Wt. 140 lbs

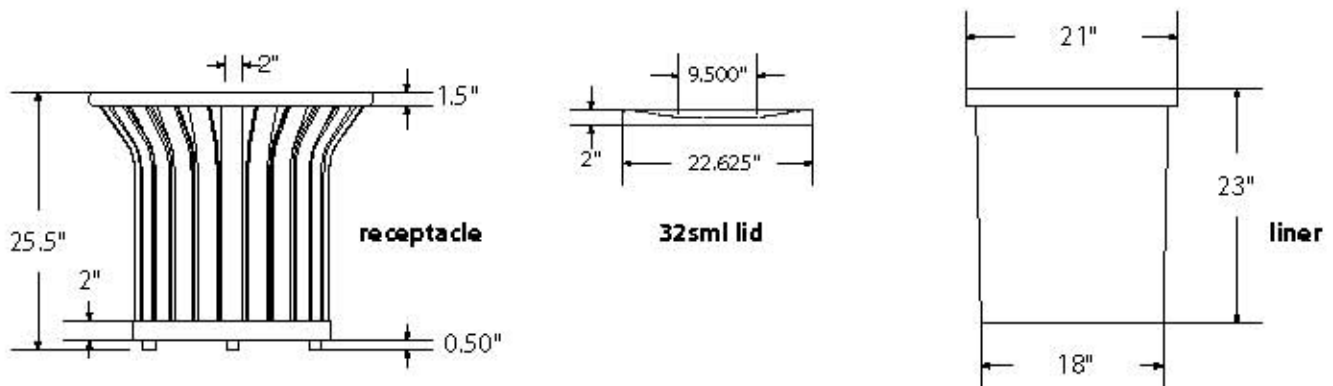
photo



bottom / top view



front view



product details



Coated Surfaces:

- Thermoplastic coated
- Copolymer-based, environmentally safe
- Does not fade, crack, peel warp
- Applied at a thickness of 25-30 mils.
- 5 Year warranty on coating



Liner:

- Black polyethylene plastic

Construction:

- ¼" x 2" Steel straps
- 1½" Steel tube lip
- 4 Leveler feet
- Optional surface mount plate for B100, B200 mounts (see below)

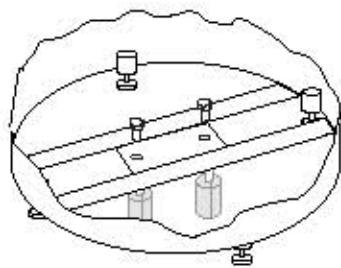
mounting types

P = Portable : no mount

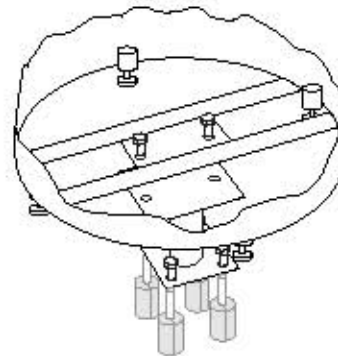
SM = Surface Mount 1:
concrete anchors
through taps welded
to legs

Surface Mount 2:
anchor bolts attach
to B100 receptacle
mount which is mounted in
concrete with anchors

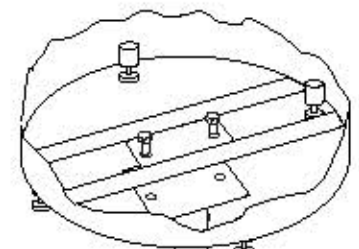
IG= In-Ground:
anchor bolts attach
to B200 receptacle
mount



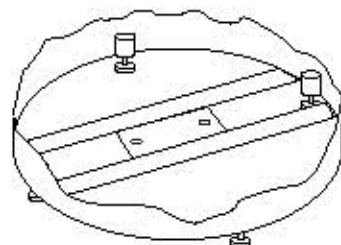
SURFACE MOUNT (1)



B100
SURFACE MOUNT (2)



B200
IN-GROUND



PORTABLE

