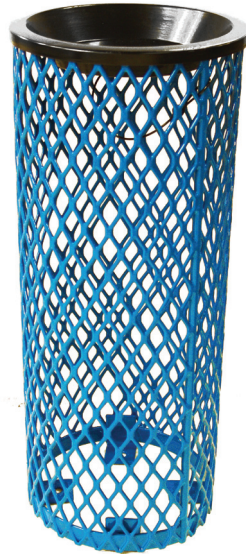


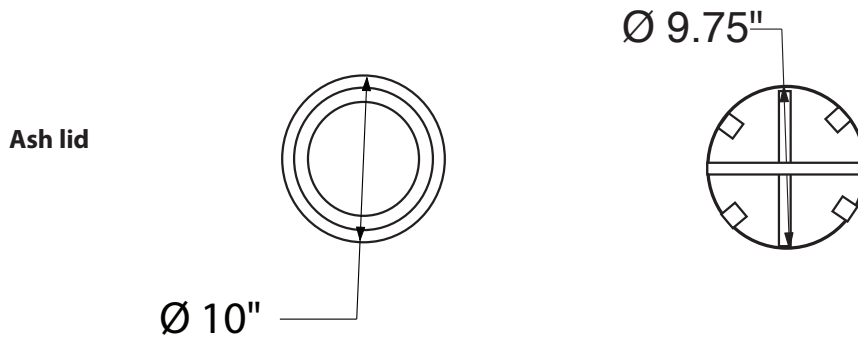
**SPEC SHEET: AU10EXP**

**EXPANDED METAL ASH URN** *portable*

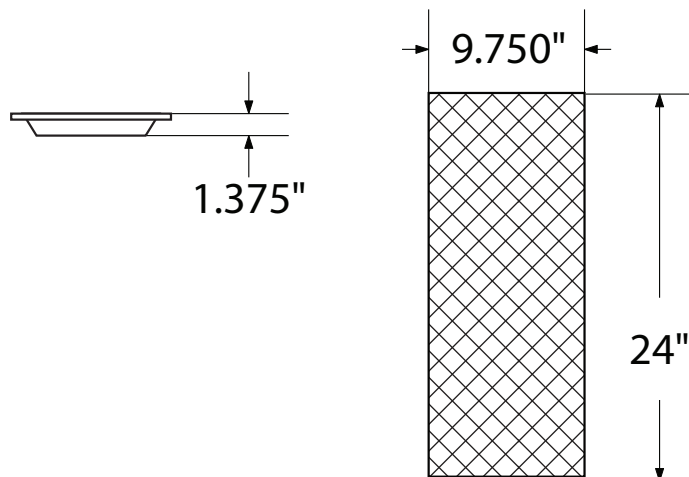
**Wt. 12lbs**



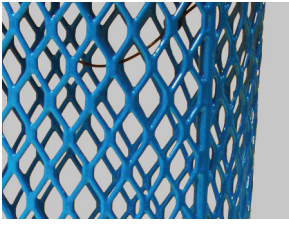
*bottom / top view*



*front view*



## product details



### Coated Surfaces:

- Thermoplastic coated
- Copolymer-based, environmentally safe
- Does not fade, crack, peel or warp
- Applied at a thickness of 25-30 mils.
- 5 Year warranty on coating

### Construction:

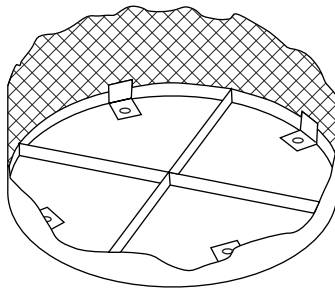
- 11 Gauge expanded metal steel

## mounting types

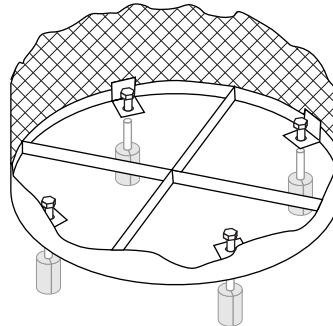
P = Portable : no mount

SM = Surface Mount:  
concrete anchors  
through taps welded  
to legs

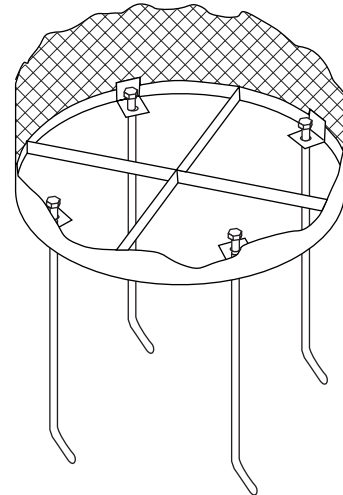
IG= In-Ground:  
anchor bolts attach  
to j rods



PORTABLE



SURFACE MOUNT



IN-GROUND