

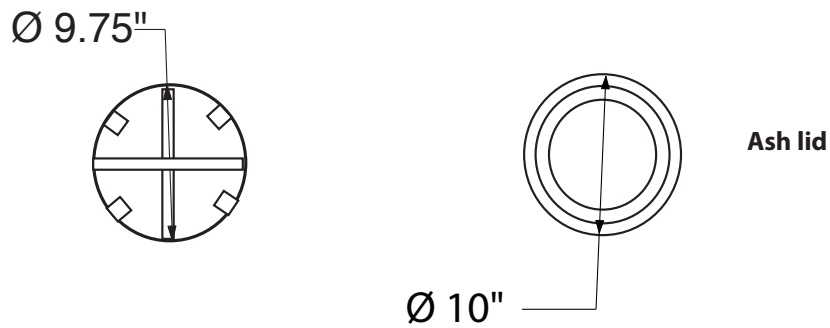
SPEC SHEET: AU10

ASH URN *portable*

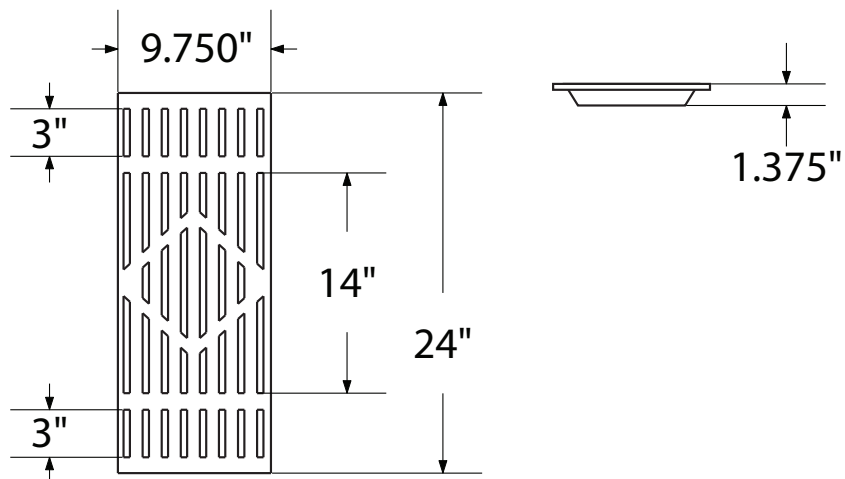
Wt. 16lbs



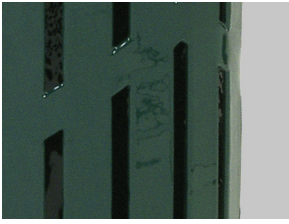
bottom / top view



front view



product details



Coated Surfaces:

- Thermoplastic coated
- Copolymer-based, environmentally safe
- Does not fade, crack, peel or warp
- Applied at a thickness of 25-30 mils.
- 5 Year warranty on coating

Construction:

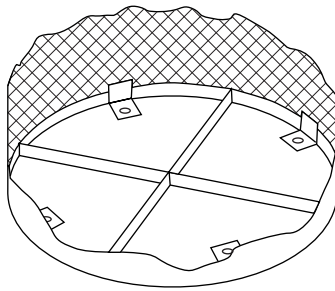
- 11 Gauge steel

mounting types

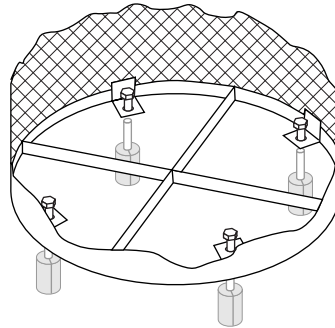
P = Portable : no mount

SM = Surface Mount:
concrete anchors
through taps welded
to legs

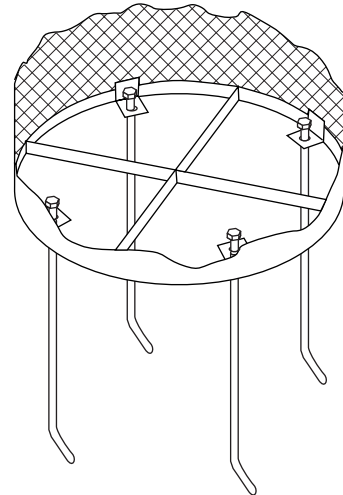
IG= In-Ground:
anchor bolts attach
to j rods



PORTABLE



SURFACE MOUNT



IN-GROUND