

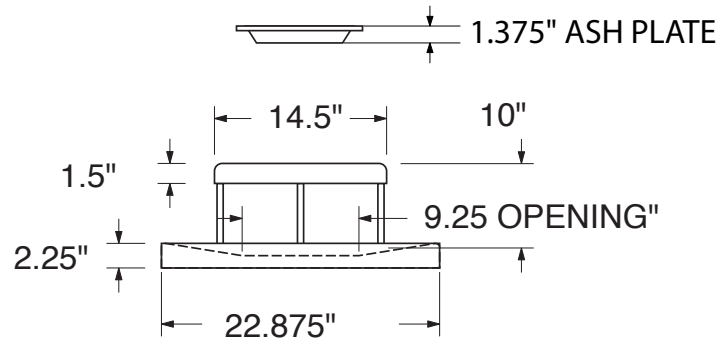
SPEC SHEET: AB32

ASH BONNET LID W POWDER COATED ASH TRAY

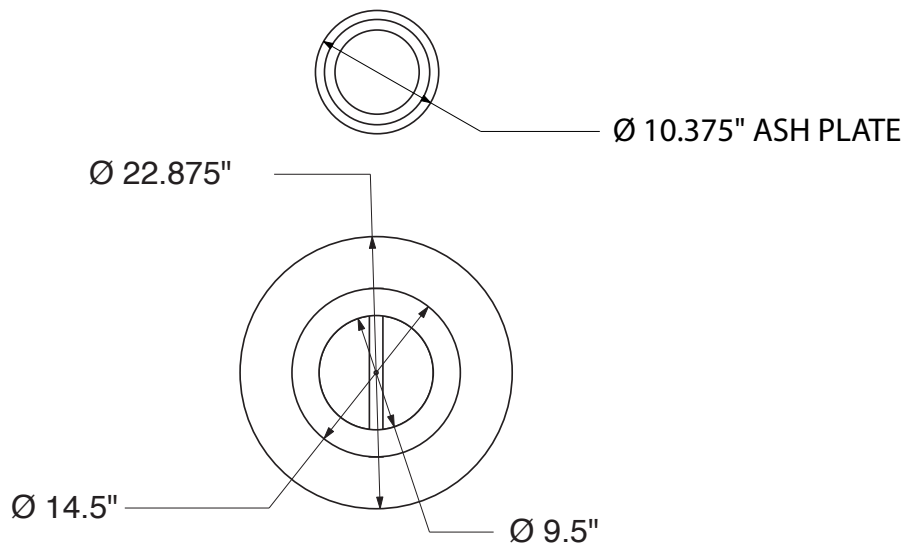
Wt. 25 lbs



bottom / top view



front view



product finish



The functional surfaces of our furniture are covered in a copolymer-based thermoplastic powder coating. Thermoplastic is environmentally safe, the coating will never fade, crack, peel, warp, or discolor for the life of the product. Thermoplastic is applied at a thickness of 25-30 mils.