

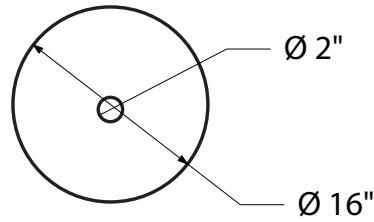
**SPEC SHEET: SU**

**SMOKER'S URN** *portable*

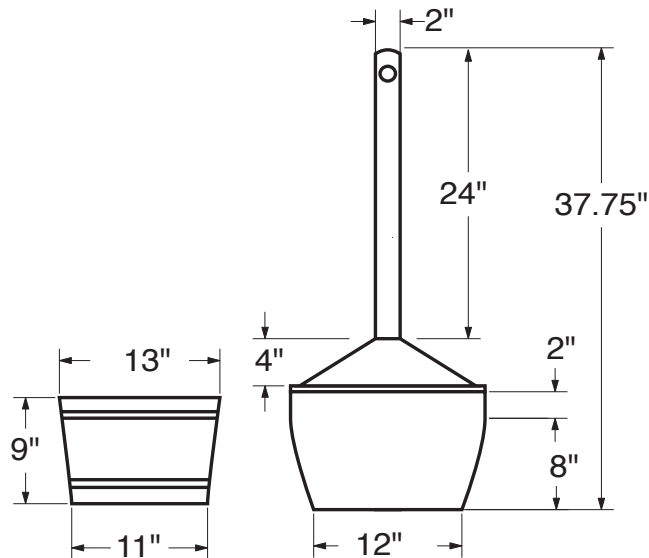
**Wt. 20 lbs**



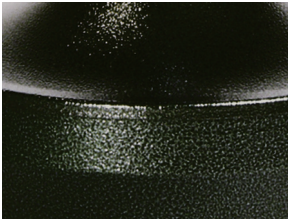
*bottom / top view*



*front view*



## *product finish*



### Construction:

- Powder coated steel
  - black or bronze finish