

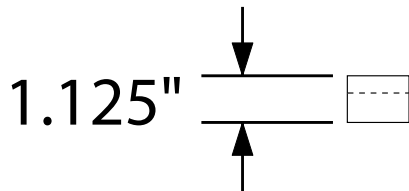
**SPEC SHEET: SBT**

**ANTI-SKATEBOARD TAB**

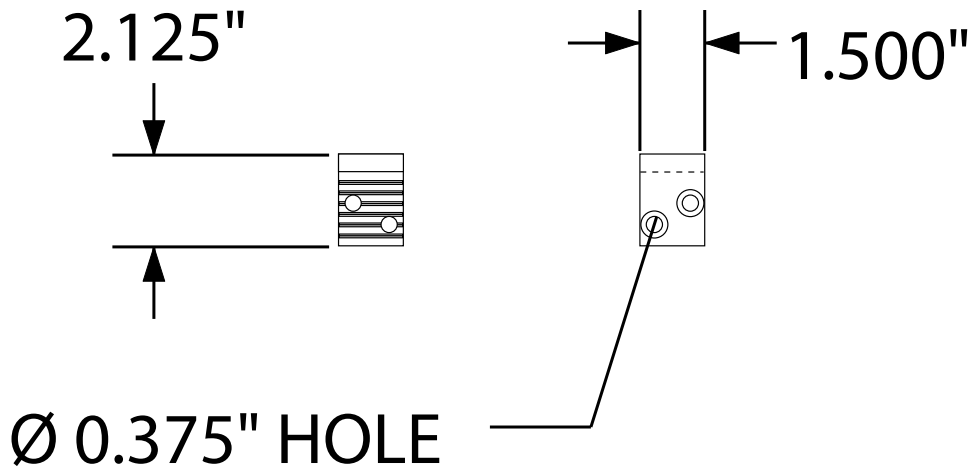
**Wt. 1 lbs**



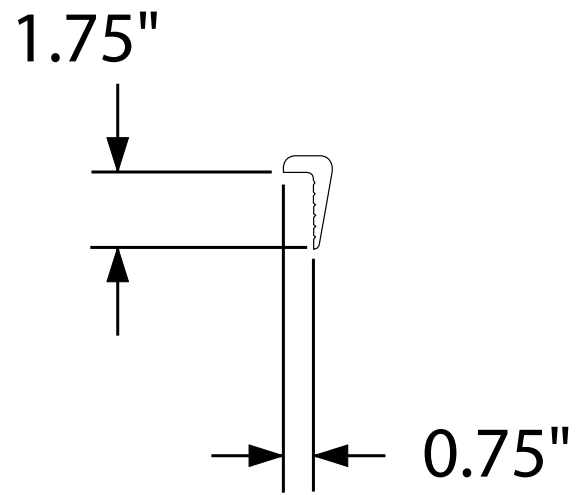
*bottom / top view*



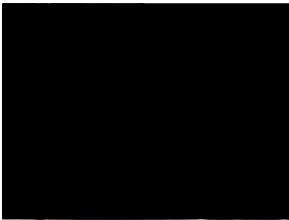
*front view*



*side view*



*product finish*



Finish in powder coated steel