

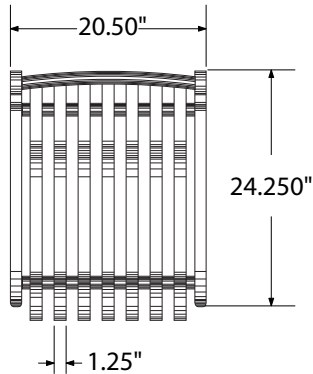
**SPEC SHEET: NGC**

**NORTHGATE METAL CHAIR**

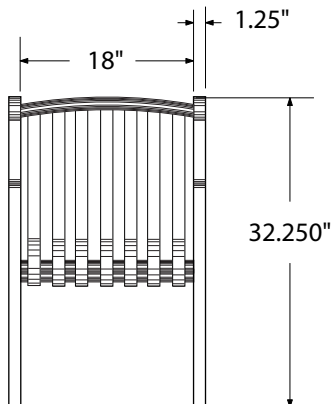
**Wt. 60 lbs**



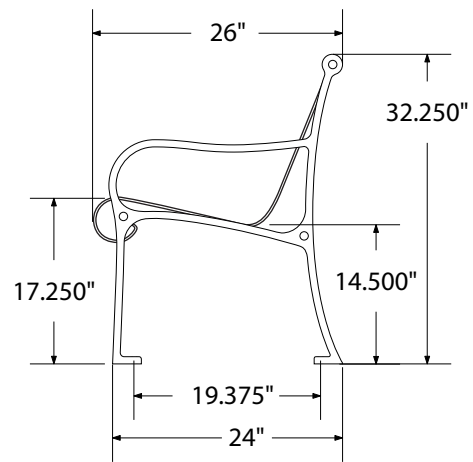
*top view*



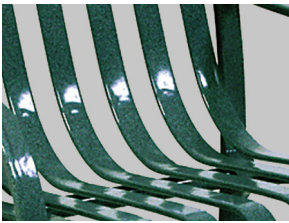
*front view*



## side view



## product details



### Coated Surfaces:

- Thermoplastic coated
- Copolymer-based, environmentally safe
- Does not fade, crack, peel warp
- Applied at a thickness of 25-30 mils.
- 5 Year warranty on coating

### Construction:

- $\frac{1}{4}$ " x  $1\frac{1}{4}$ " Steel straps
- $1\frac{1}{4}$ " Wide cast iron legs
- $\frac{1}{2}$ " Mounting holes in chair feet