

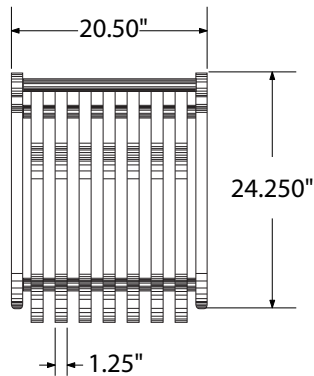
SPEC SHEET: OGC

OGLETHORPE METAL CHAIR

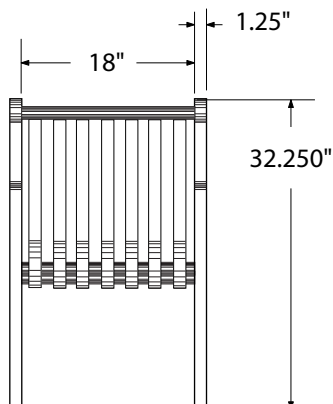
Wt. 60 lbs



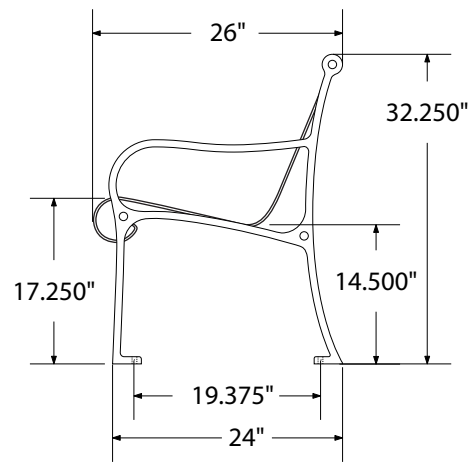
top view



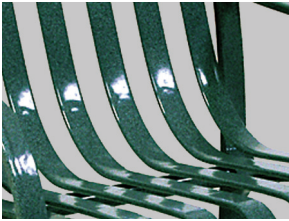
front view



side view



product details



Coated Surfaces:

- Thermoplastic coated
- Copolymer-based, environmentally safe
- Does not fade, crack, peel warp
- Applied at a thickness of 25-30 mils.
- 5 Year warranty on coating

Construction:

- $\frac{1}{4}$ " x $1\frac{1}{4}$ " Steel straps
- $1\frac{1}{4}$ " Wide cast iron legs
- $\frac{1}{2}$ " Mounting holes in chair feet