

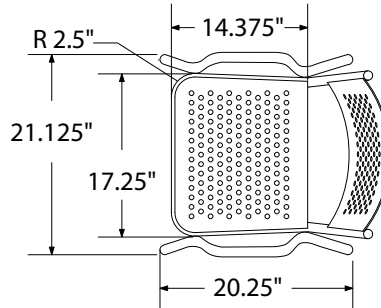
SPEC SHEET: C2-PERF

PERFORATED BAR CHAIR

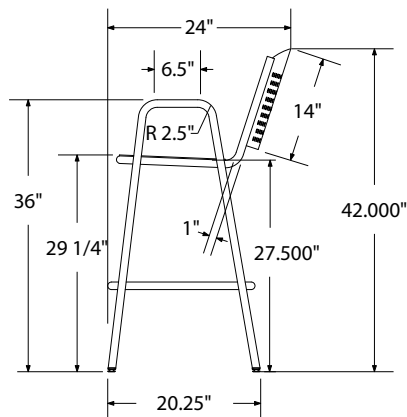
Wt. 65 lbs



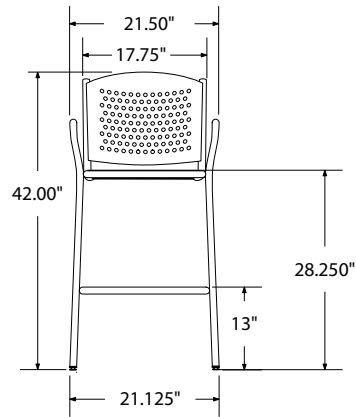
top view



side view



front view



product details



Coated Surfaces:

- Thermoplastic coated
- Copolymer-based, environmentally safe
- Does not fade, crack, peel warp
- Applied at a thickness of 25-30 mils.
- 5 Year warranty on coating

Construction:

- 11 Gauge steel seat/back
- 1" Galvanized steel tubing frame