

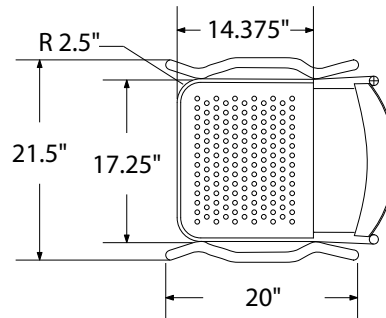
**SPEC SHEET: PC1-PERF**

**PERSONALIZED STACKABLE PERFORATED CHAIR**

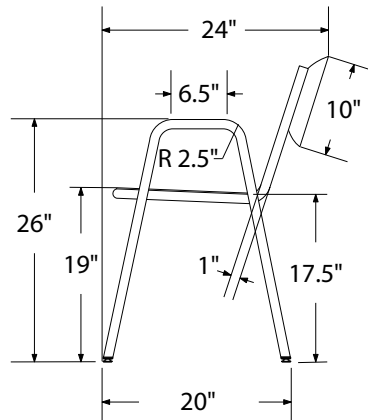
**Wt. 45 lbs**



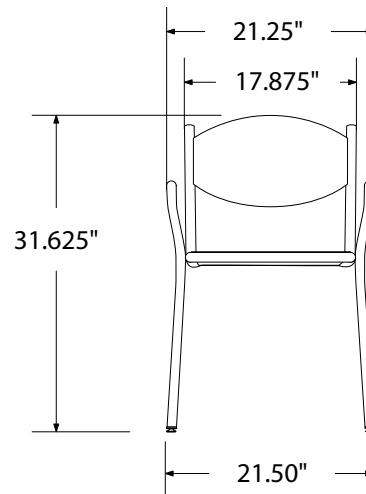
*top view*



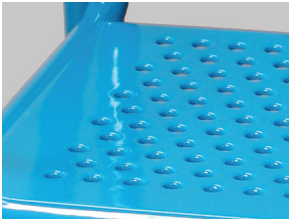
*side view*



## front view



## product details



### Coated Surfaces:

- Thermoplastic coated
- Copolymer-based, environmentally safe
- Does not fade, crack, peel warp
- Applied at a thickness of 25-30 mils.
- 5 Year warranty on coating

### Construction:

- 11 Gauge steel seat/back
- 1" Galvanized steel tubing frame