

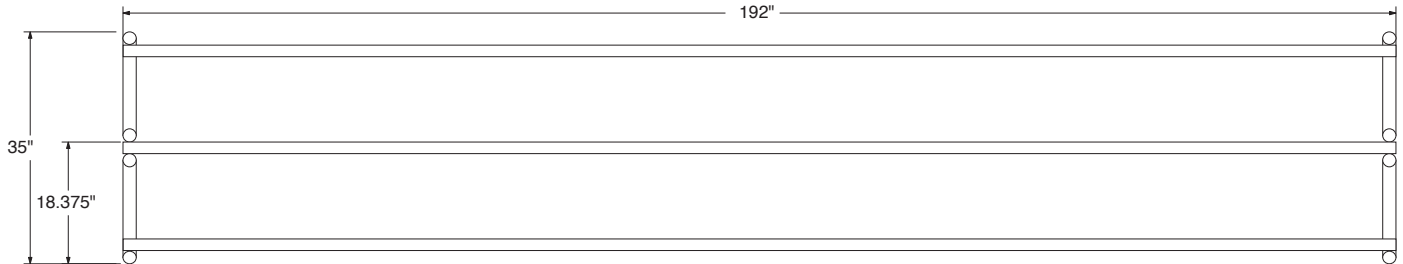
**SPEC SHEET: 16JDBK**

**16' WIDE 28 SPACES "J" FRAME BIKE RACK DOUBLE SIDED Wt. 174 lbs**

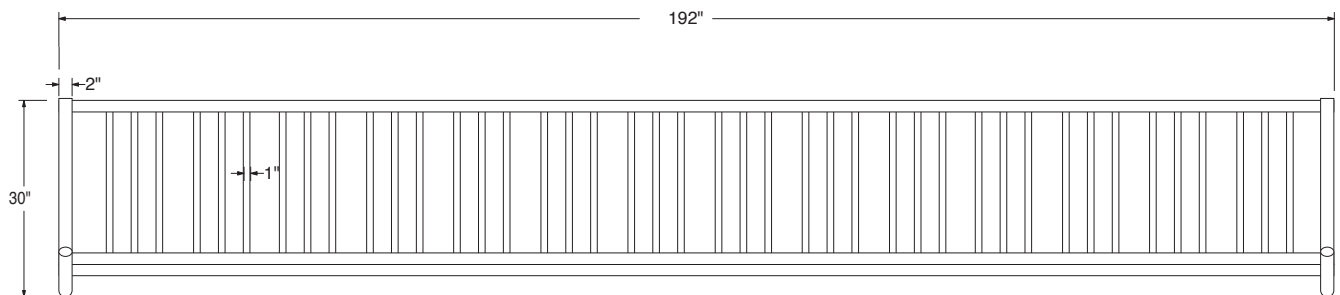


10JDBK FOR SHOW ONLY

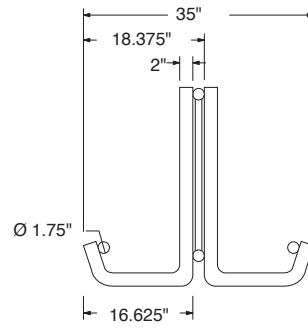
**top view**



**front view**



**side view**



**product finish**



Finish: galvanized steel