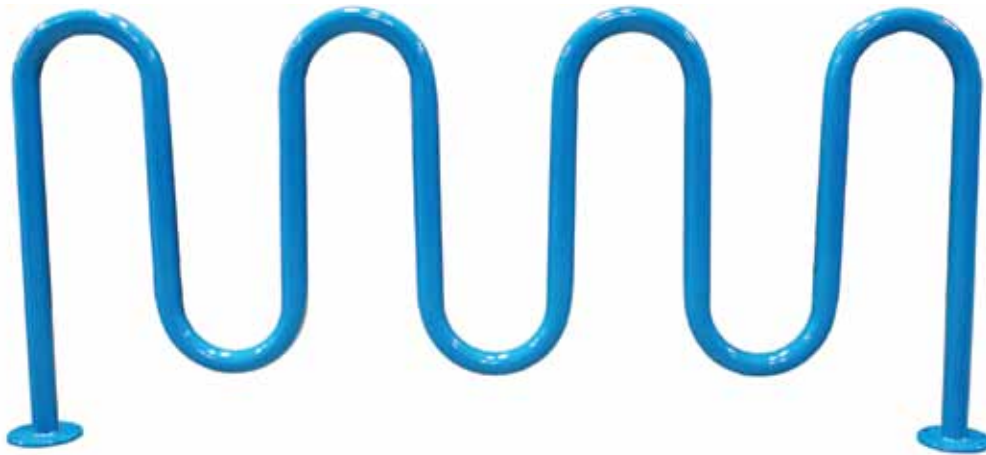


**SPEC SHEET: 2BK9P-IG**

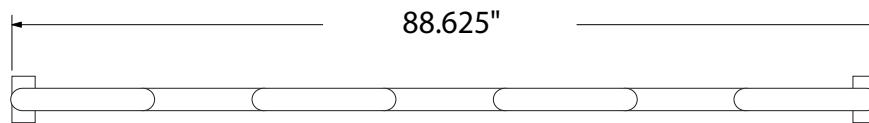
**88 5/8" THERMOPLASTIC WAVE RACK 2 3/8" DIA in-ground**

**Wt.148 lbs**

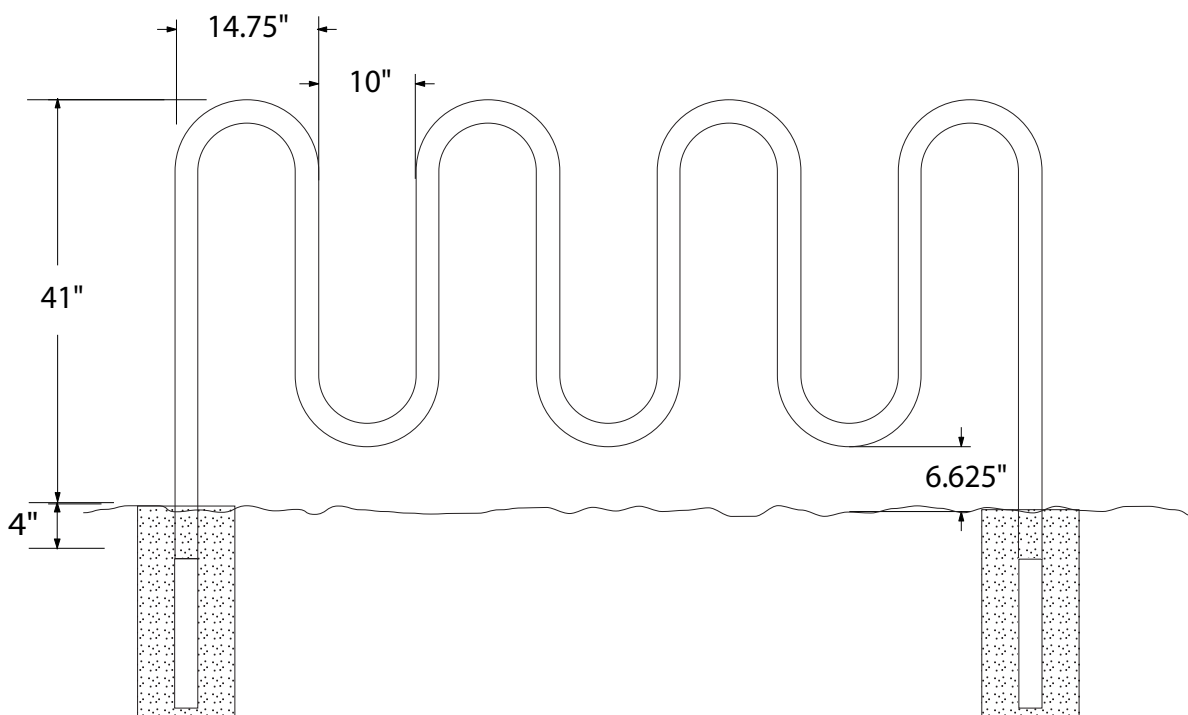


2BK9P-SM FOR SHOW ONLY

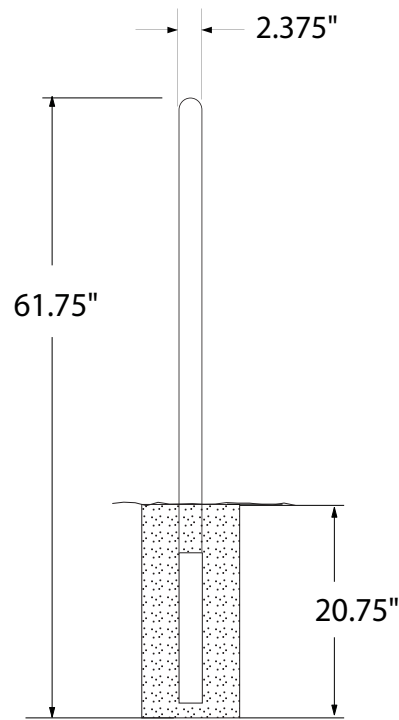
**top view**



**front view**



**side view**



**product finish**

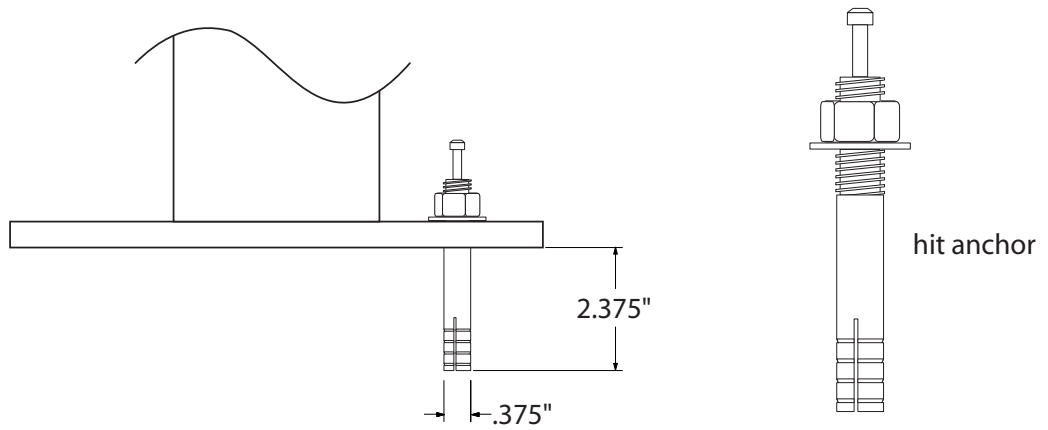


The functional surfaces of our furniture are covered in a copolymer-based thermoplastic powder coating. Thermoplastic is environmentally safe, the coating will never fade, crack, peel, warp, or discolor for the life of the product. Thermoplastic is applied at a thickness of 25-30 mils.

**mounting types**

SM = Surface Mount:  
concrete anchors  
through discs welded  
to legs

IG= In-Ground:  
extra long tubes



SURFACE MOUNT