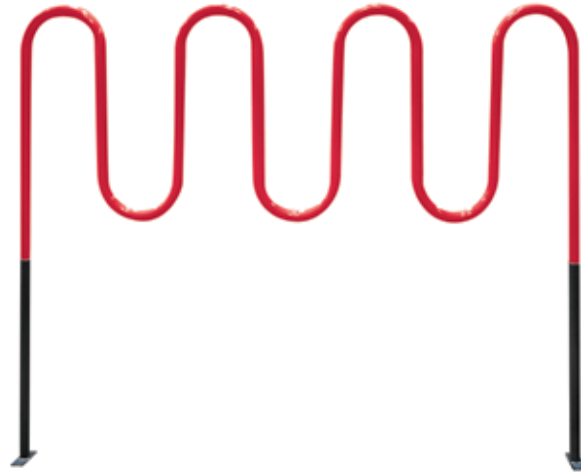


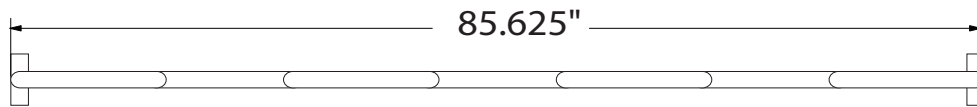
SPEC SHEET: 1BK9P-IG

85 5/8" THERMOPLASTIC WAVE RACK 1 5/8" DIA in-ground

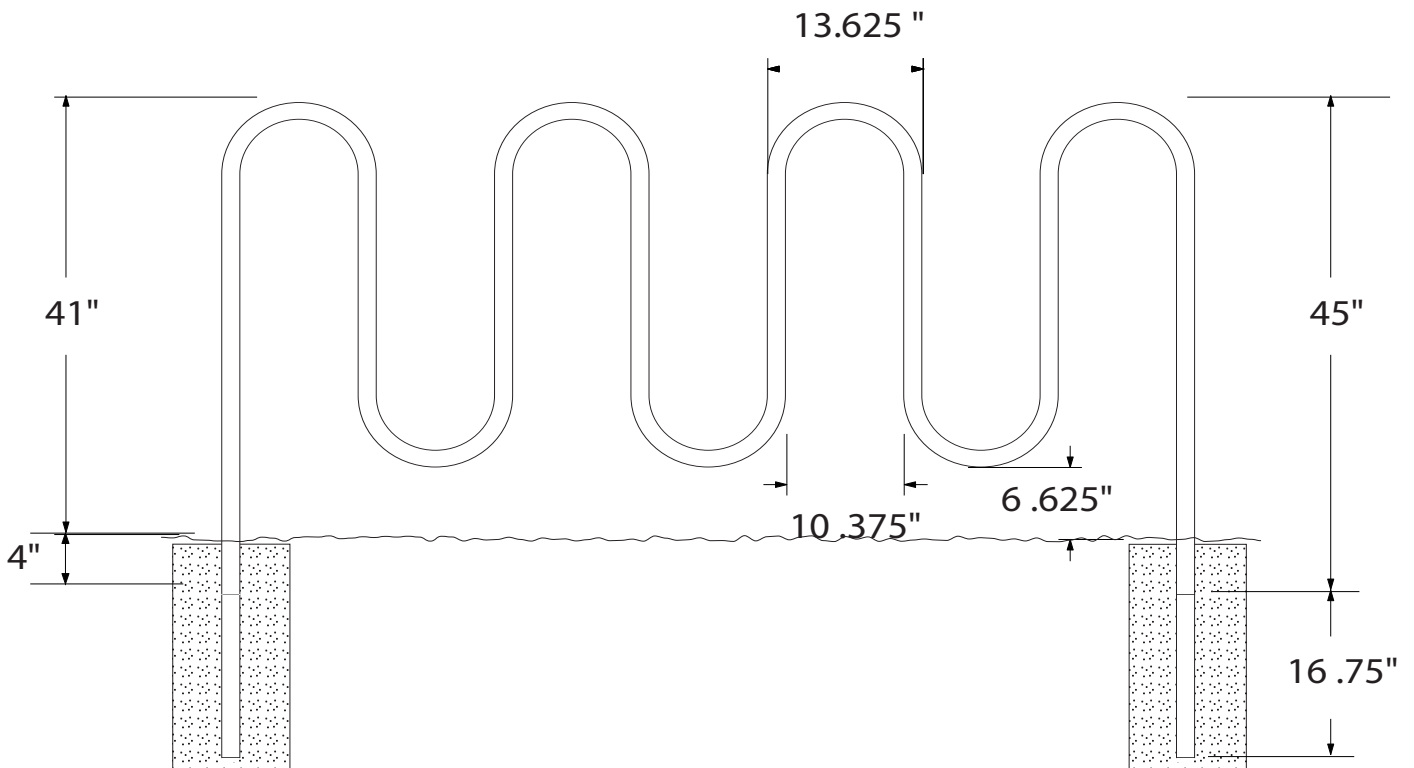
Wt. 91 lbs



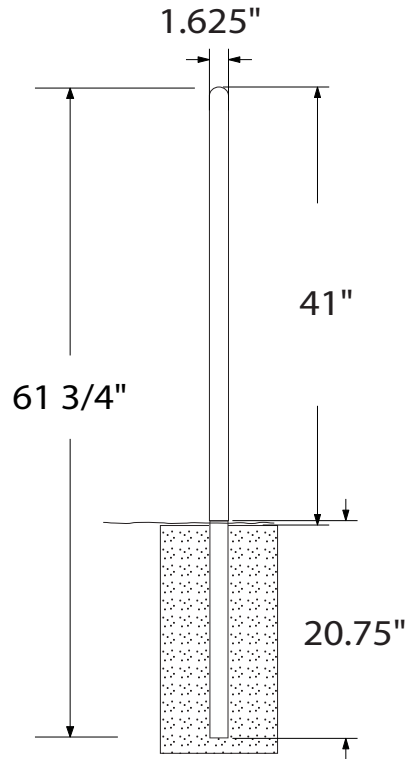
top view



front view



side view



product finish

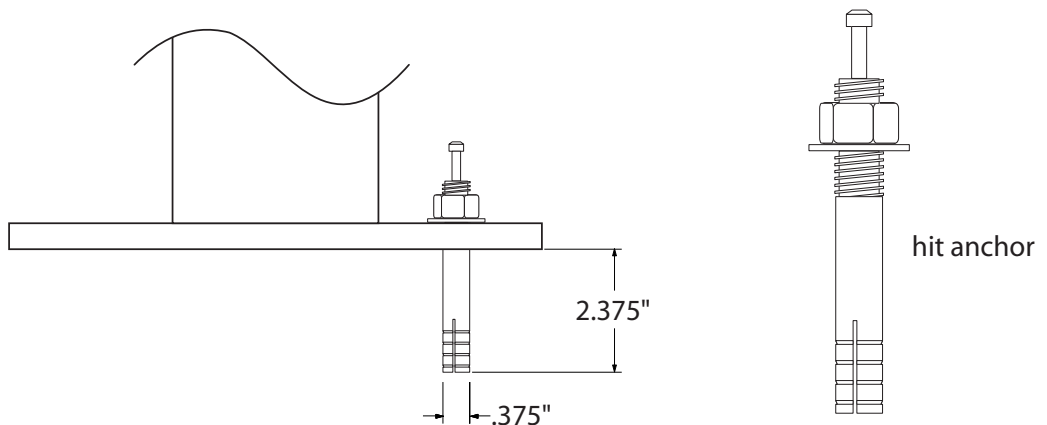


The functional surfaces of our furniture are covered in a copolymer-based thermoplastic powder coating. Thermoplastic is environmentally safe, the coating will never fade, crack, peel, warp, or discolor for the life of the product. Thermoplastic is applied at a thickness of 25-30 mils.

mounting types

SM = Surface Mount:
concrete anchors
through discs welded
to legs

IG= In-Ground:
extra long tubes



SURFACE MOUNT