

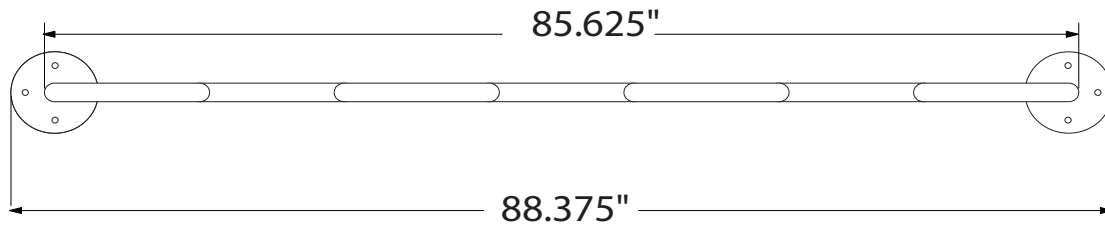
**SPEC SHEET: 1BK9P-SM**

**88 <sup>3</sup>/<sub>8</sub>" THERMOPLASTIC WAVE RACK 1 <sup>5</sup>/<sub>8</sub>" DIA** *surface mount*

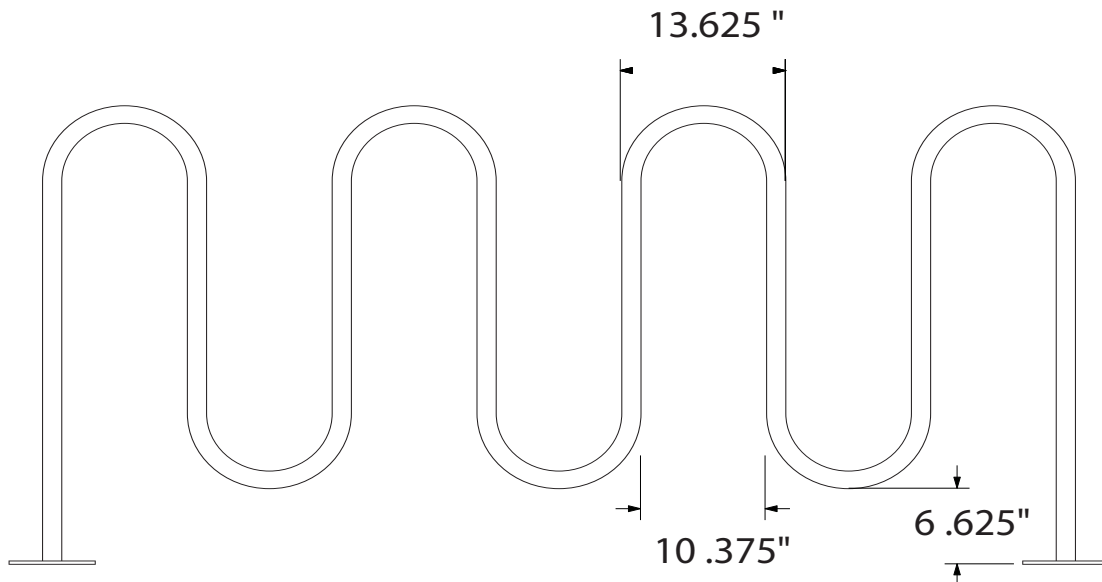
**Wt. 75 lbs**



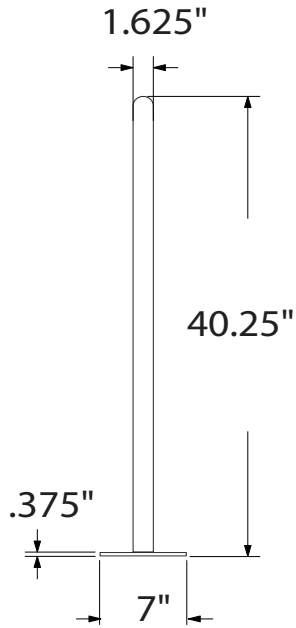
*top view*



*front view*



**side view**



**product finish**

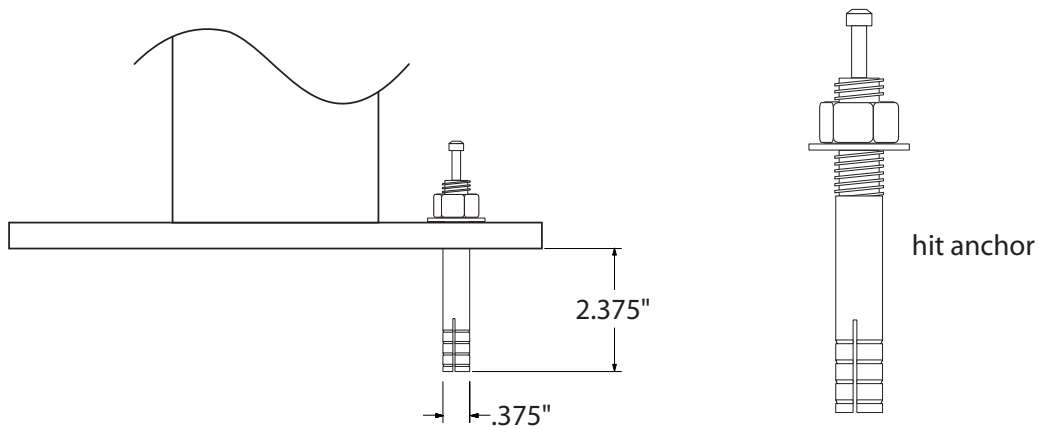


The functional surfaces of our furniture are covered in a copolymer-based thermoplastic powder coating. Thermoplastic is environmentally safe, the coating will never fade, crack, peel, warp, or discolor for the life of the product. Thermoplastic is applied at a thickness of 25-30 mils.

**mounting types**

SM = Surface Mount:  
concrete anchors  
through discs welded  
to legs

IG= In-Ground:  
extra long tubes



SURFACE MOUNT