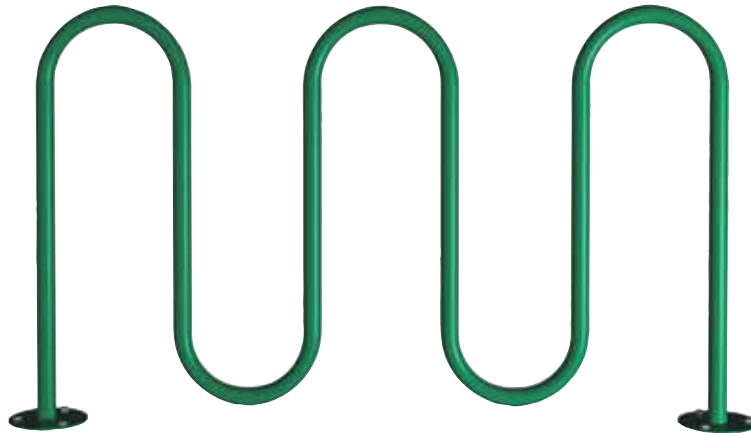


SPEC SHEET: 1BK7P-IG

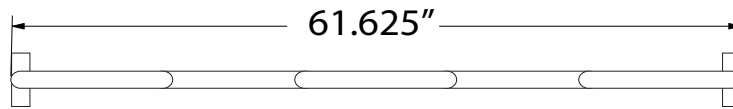
61 5/8" THERMOPLASTIC WAVE RACK 1 5/8" DIA in-ground

Wt. 81 lbs

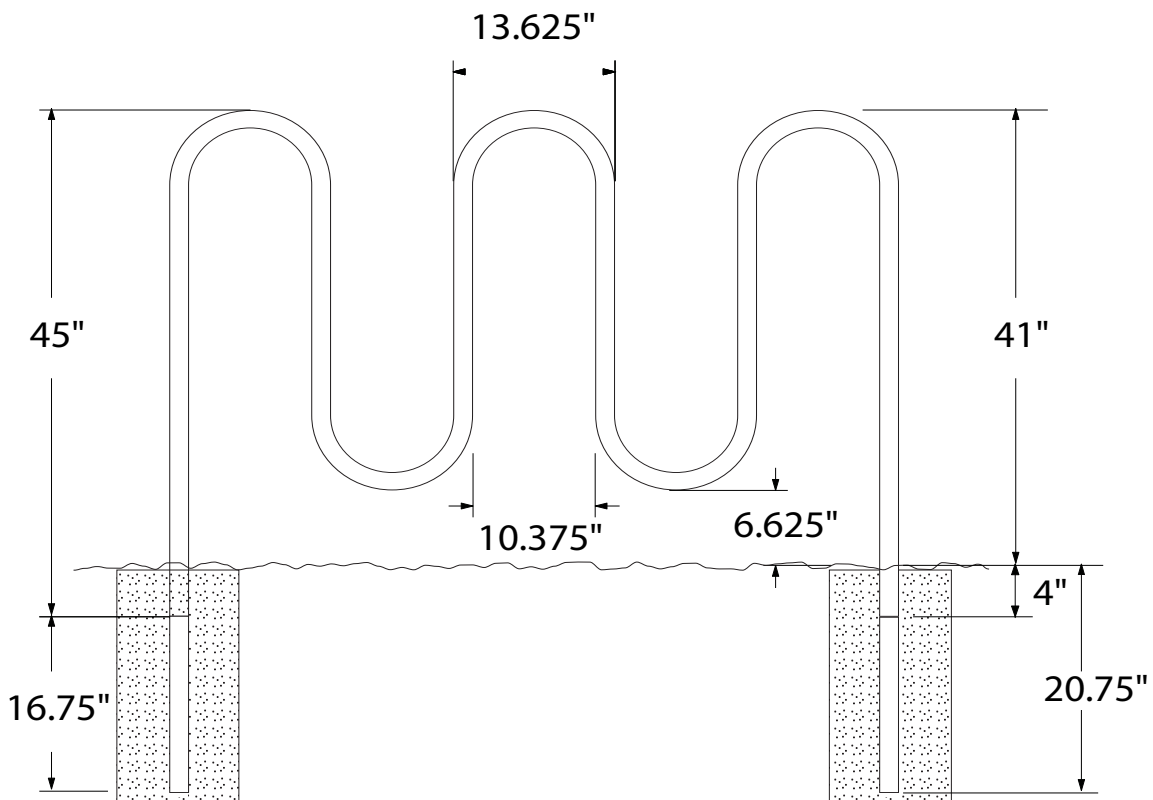


1BK7P-SM FOR SHOW ONLY

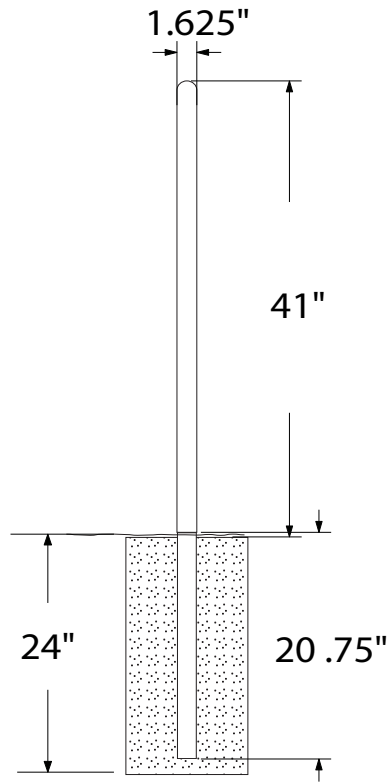
top view



front view



side view



product finish

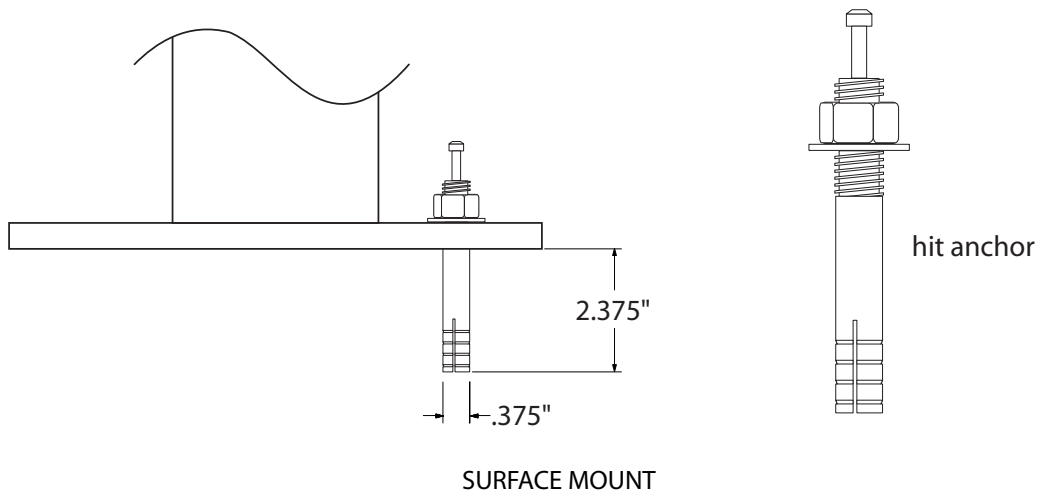


Finish: Thermoplastic covered

mounting types

SM = Surface Mount:
concrete anchors
through discs welded
to legs

IG= In-Ground:
extra long tubes



SURFACE MOUNT