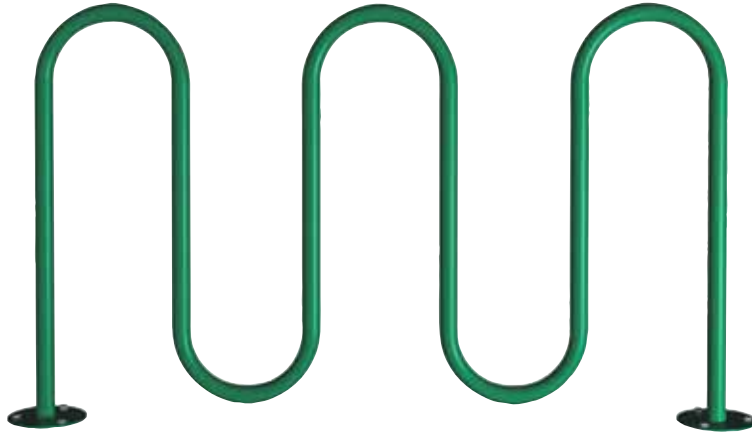


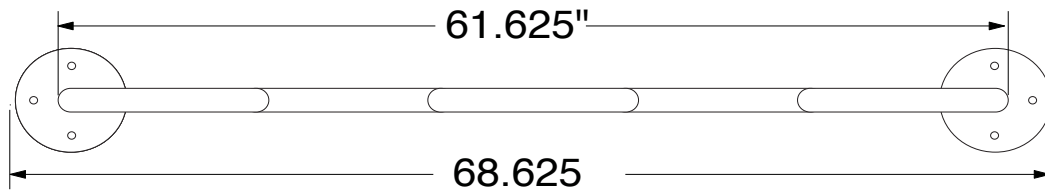
**SPEC SHEET: 1BK7P-SM**

**68 5/8" THERMOPLASTIC WAVE RACK 1 5/8" DIA** *surface mount*

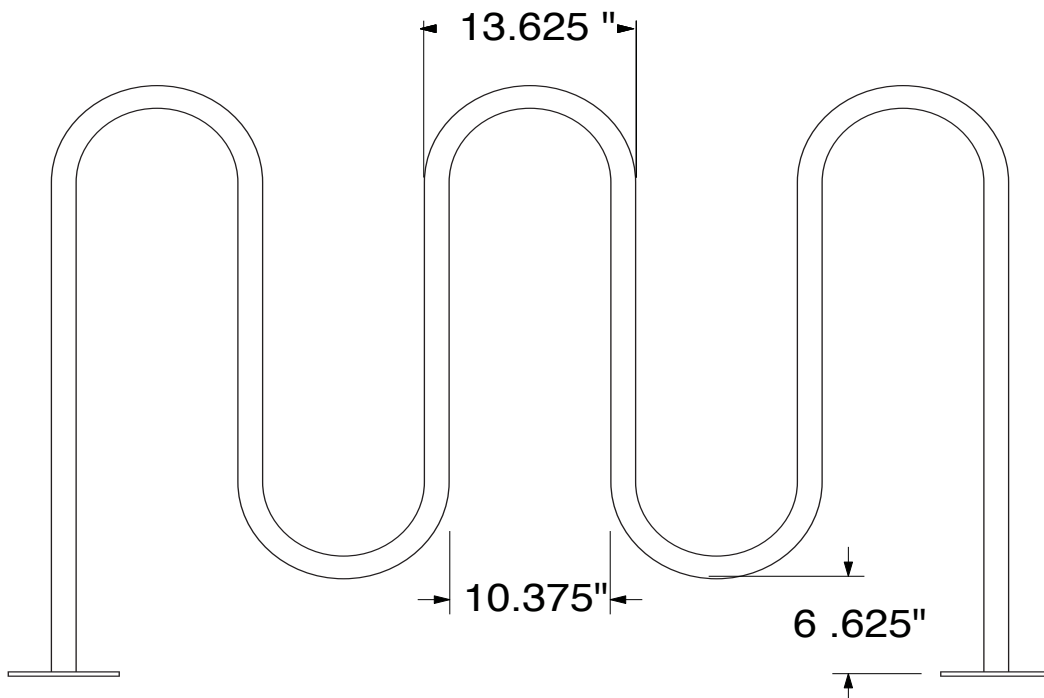
**Wt. 65 lbs**



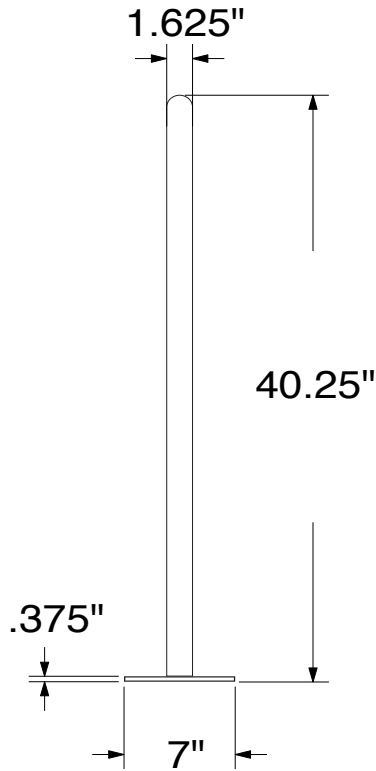
*top view*



*front view*



*side view*



*product finish*

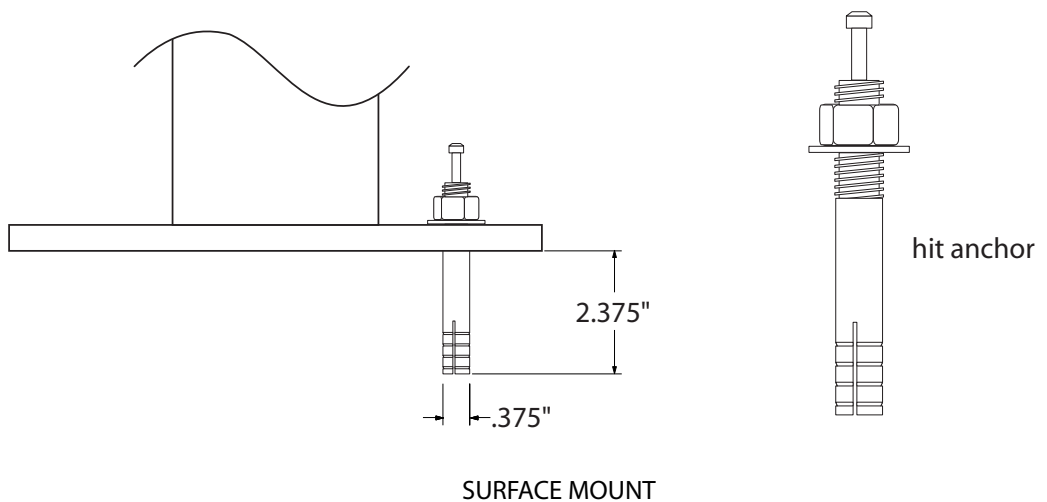


The functional surfaces of our furniture are covered in a copolymer-based thermoplastic powder coating. Thermoplastic is environmentally safe, the coating will never fade, crack, peel, warp, or discolor for the life of the product. Thermoplastic is applied at a thickness of 25-30 mils.

*mounting types*

SM = Surface Mount:  
concrete anchors  
through discs welded  
to legs

IG= In-Ground:  
extra long tubes



SURFACE MOUNT