

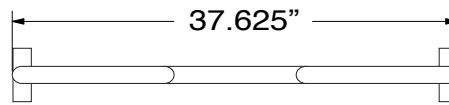
SPEC SHEET: 1BK5P-IG

37 5/8" THERMOPLASTIC WAVE RACK 1 5/8" DIA in-ground

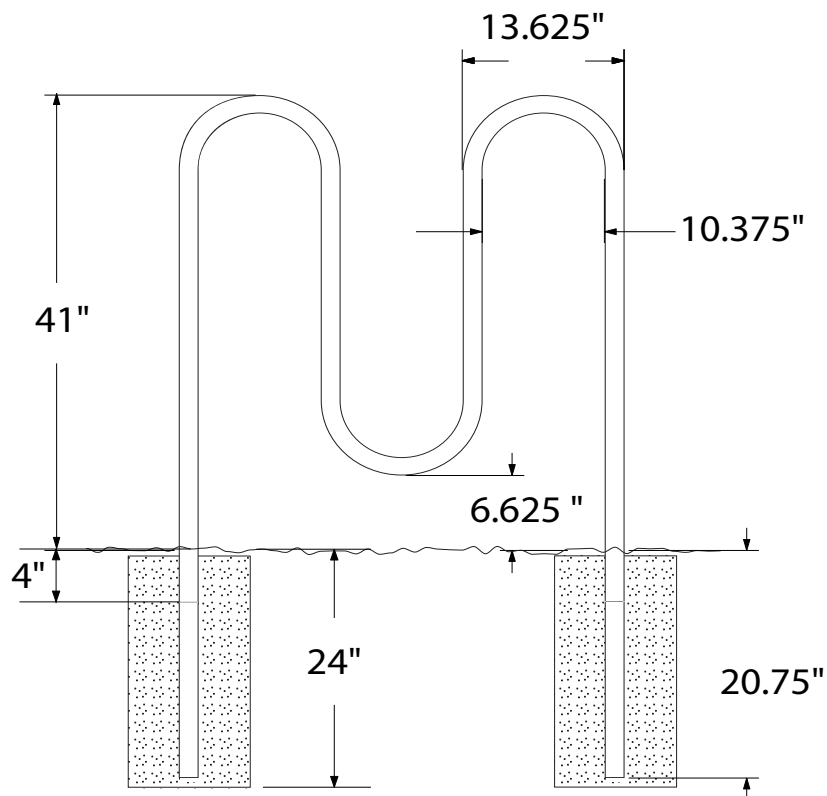
Wt. 67 lbs



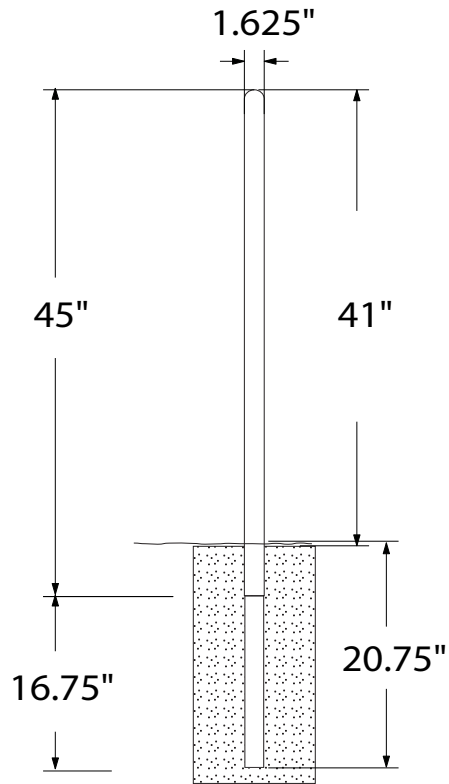
top view



front view



side view



product finish



Finish: Thermoplastic covered

mounting types

SM = Surface Mount:
concrete anchors
through discs welded
to legs

IG= In-Ground:
extra long tubes

