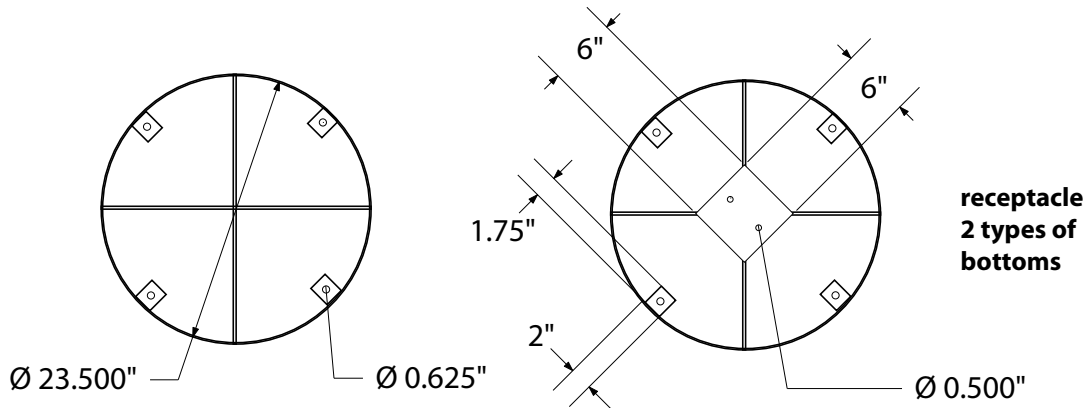


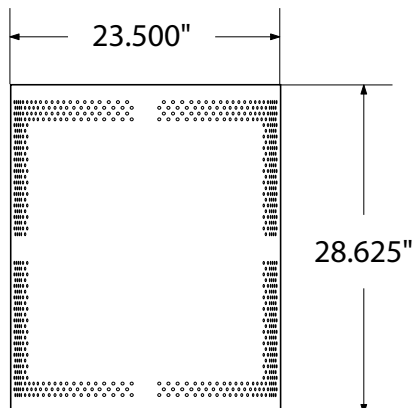
**SPEC SHEET: MPRF32-PERF**  
**MULTICOLOR 32 GAL. PERSONALIZED PERF RECEPTACLE Wt. 110 lbs**



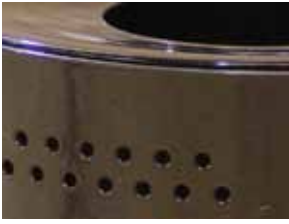
*bottom / top view*



*front view*



## product details



### Coated Surfaces:

- Thermoplastic coated
- Copolymer-based, environmentally safe
- Does not fade, crack, peel or warp
- Applied at a thickness of 25-30 mils.
- 5 Year warranty on coating

### Construction:

- 11 Gauge steel

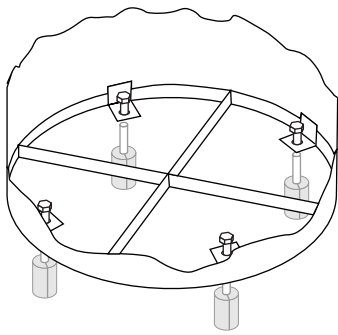
## mounting types

P = Portable : no mount

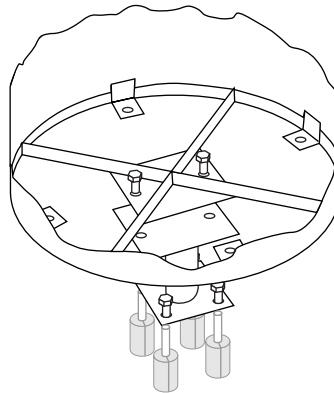
SM = Surface Mount 1: concrete anchors through taps welded to legs

Surface Mount 2: anchor bolts attach to B100 receptacle mount

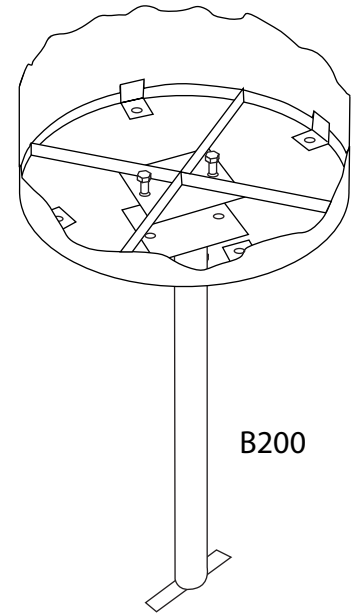
IG= In-Ground: anchor bolts attach to B200 receptacle mount



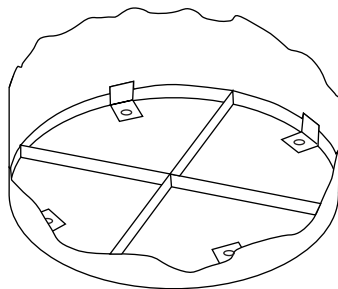
SURFACE MOUNT (1)



B100  
SURFACE MOUNT (2)



B200



PORTABLE

IN-GROUND