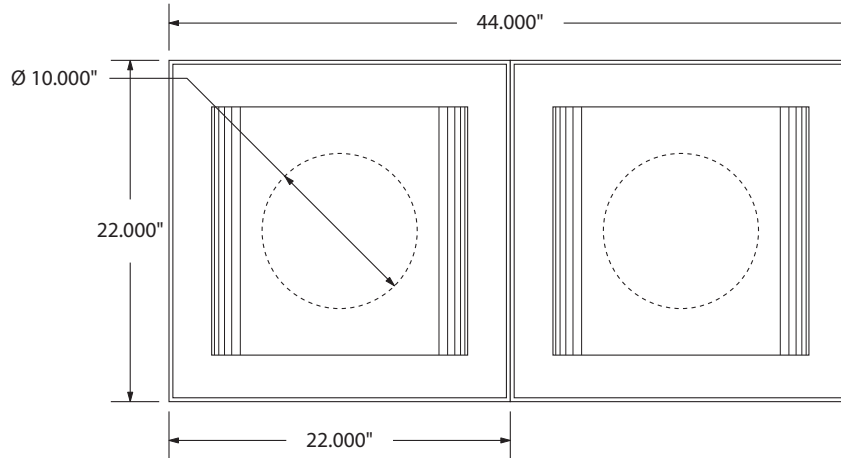


**SPEC SHEET: TRD32D**

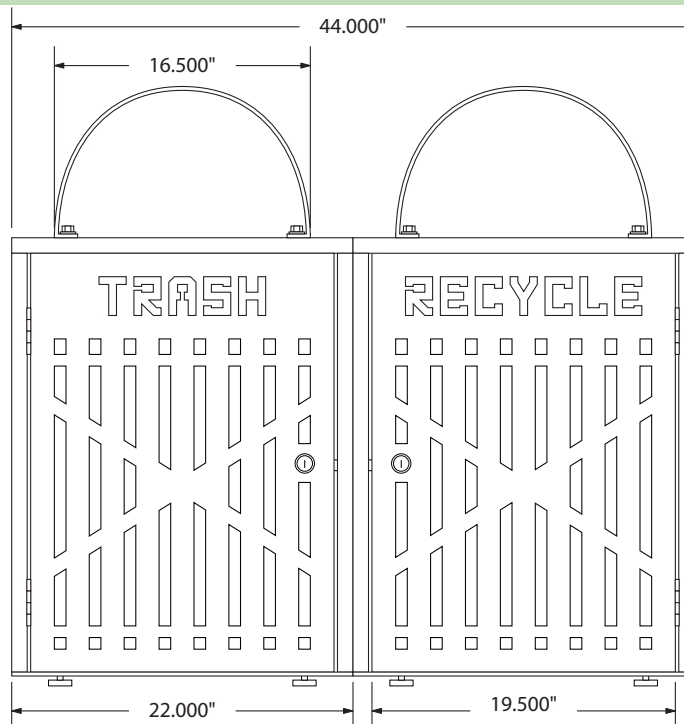
**32 GALLON DIAMOND TRASH/RECYCLING BINS** *with doors/liners* **Wt. 190 lbs**



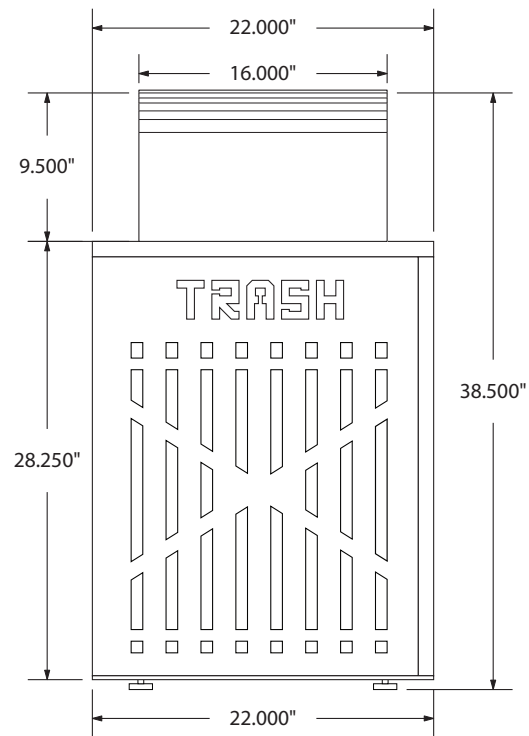
**top view**



**front view**



*side view*



*product details*



- Coated Surfaces:
- Thermoplastic coated
  - Copolymer-based, environmentally safe
  - Does not fade, crack, peel or warp
  - Applied at a thickness of 25-30 mils.
  - 5 Year warranty on coating



- Liner:
- Black polyethylene plastic