

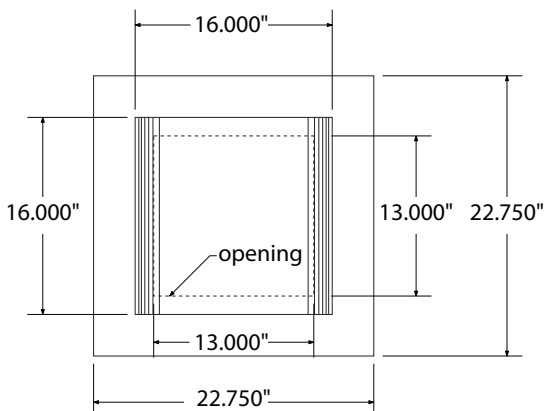
**SPEC SHEET: 32SQEXP**

**32 GALLON SQUARE EXPANDED RECEPTACLE**

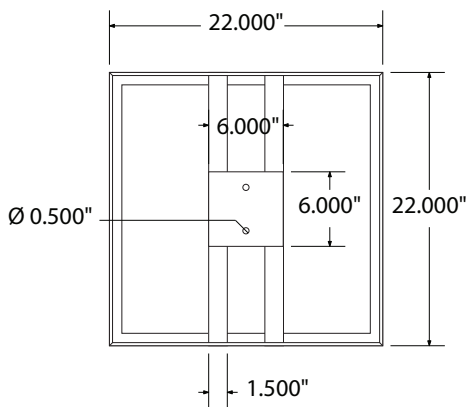
**Wt. 110 lbs**



*top views*

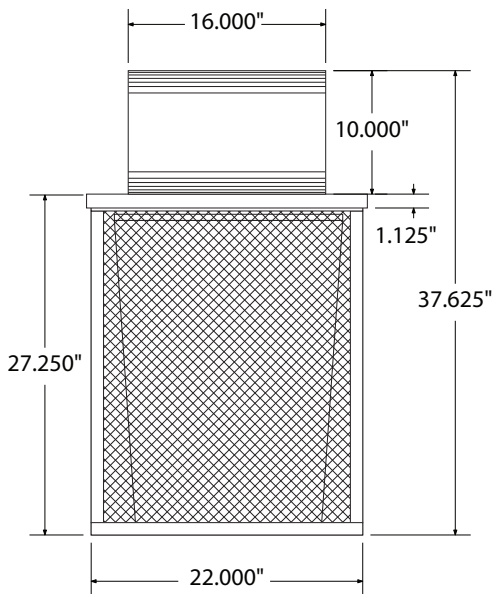


**dome top**

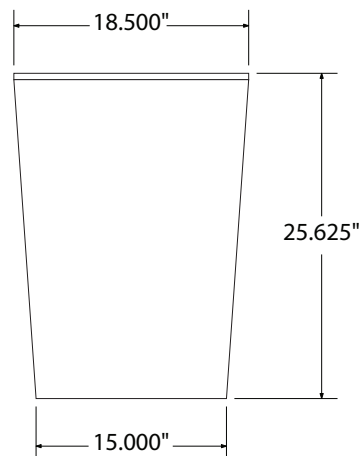


**receptacle top**

*side views*

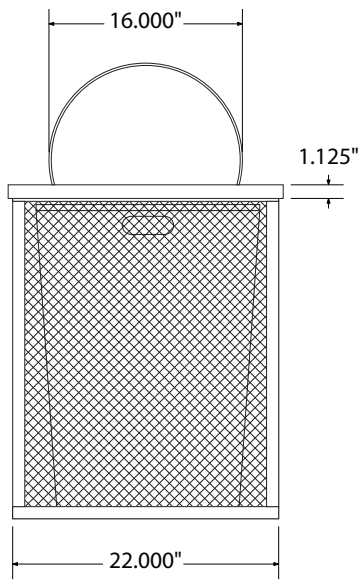


**full receptacle**

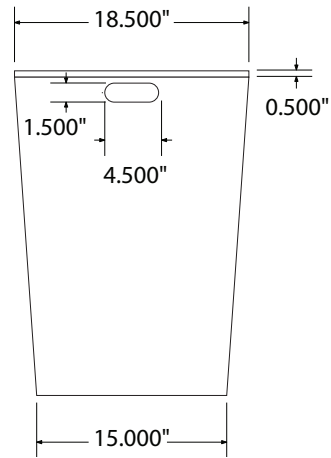


**liner only**

## front views



**full  
receptacle**



**liner  
only**

## product finish



### Coated Surfaces:

- Thermoplastic coated
- Copolymer-based, environmentally safe
- Does not fade, crack, peel or warp
- Applied at a thickness of 25-30 mils.
- 5 Year warranty on coating



### Construction:

- 9 Gauge expanded metal steel

### Liner:

- Black polyethylene plastic

## mounting type

SM = Surface Mount:  
concrete anchors  
through holes in plate  
welded across bars at  
bottom of receptacle.

