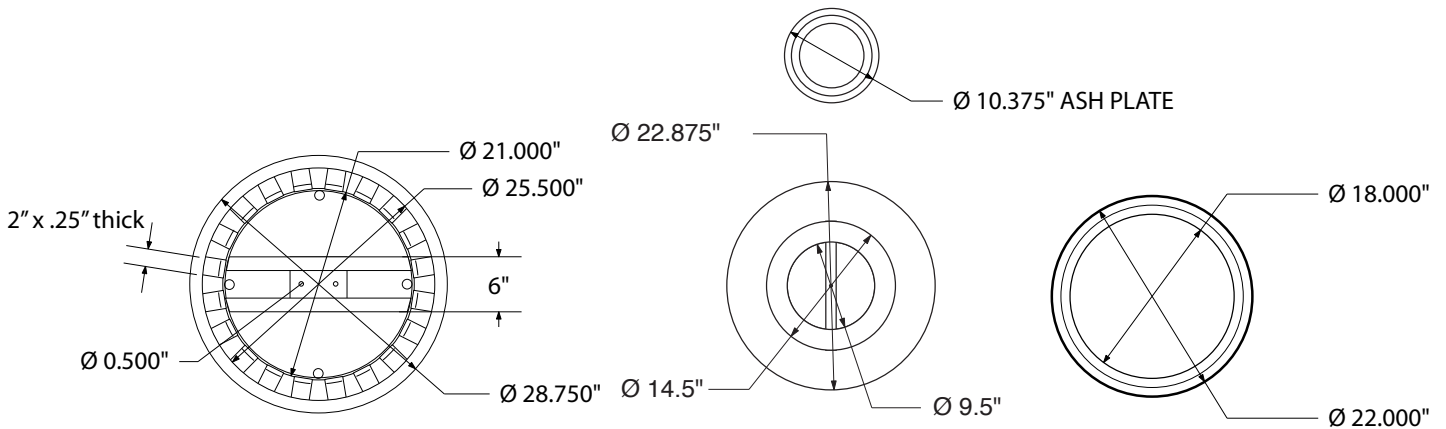


SPEC SHEET: SR32-ABL

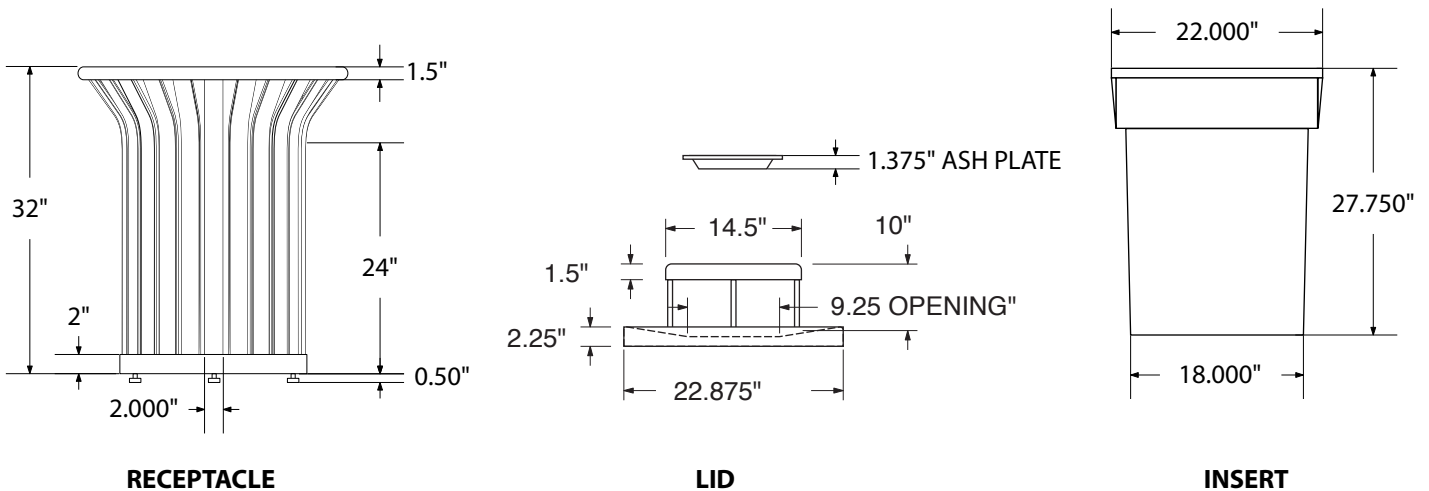
32 GALLON WELDED RECEPTACLE W ASH BONNET *portable* **Wt. 165 lbs**



bottom / top view



front view



product details



Coated Surfaces:

- Thermoplastic coated
- Copolymer-based, environmentally safe
- Does not fade, crack, peel warp
- Applied at a thickness of 25-30 mils.
- 5 Year warranty on coating



Liner:

- Black polyethylene plastic

Construction:

- 1/4" x 2" Steel straps
- 1 1/2" Steel tube lip
- 4 Leveler feet
- Optional surface mount plate for B100, B200 mounts (see below)

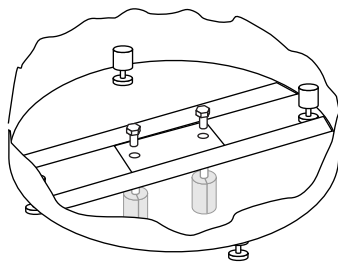
mounting types

P = Portable :
No mount.

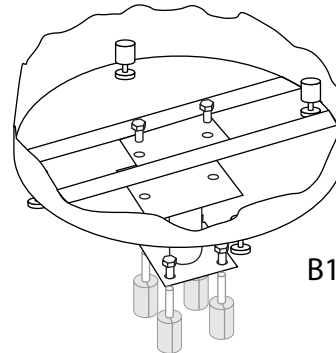
Surface Mount1:
Concrete anchors through bottom plate.

Surface Mount2:
Bolts through bottom plate into B100 surface mount. B100 Mounted to concrete with anchors.

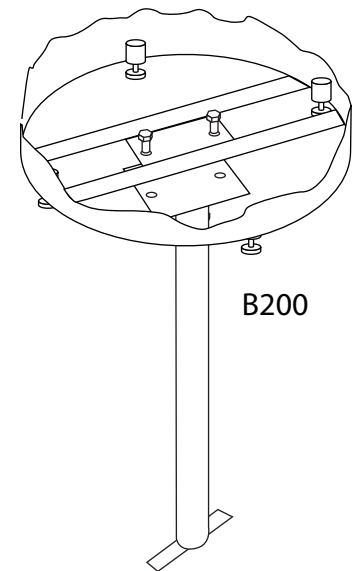
IG= In-Ground:
Bolts through bottom plate into B200 surface mount. B200 embedded in hole filled with concrete.



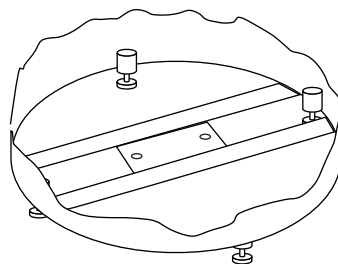
SURFACE MOUNT (1)



SURFACE MOUNT (2)



IN-GROUND



PORTABLE