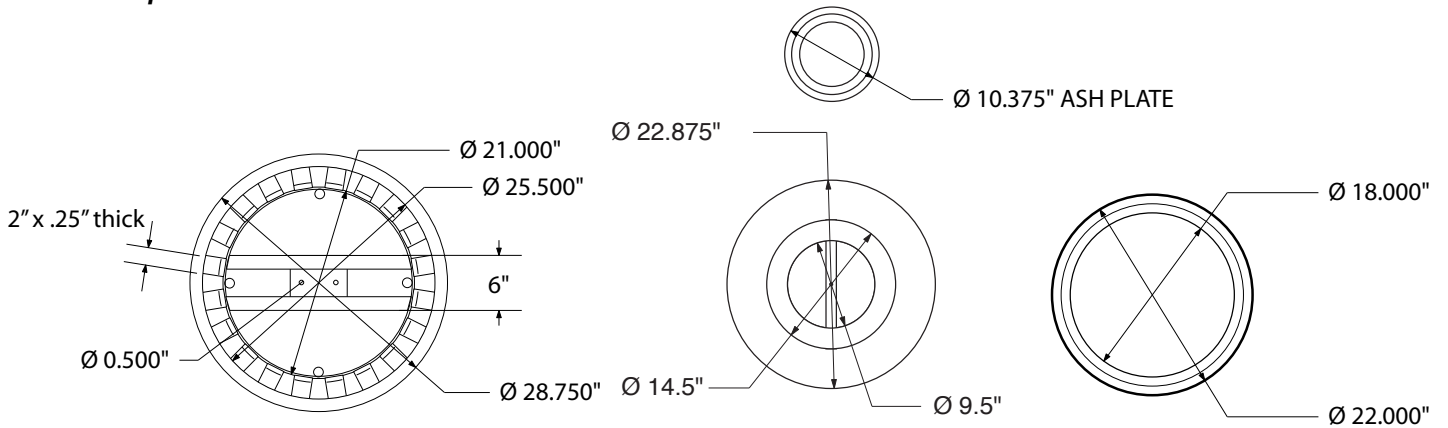


SPEC SHEET: SR32-SML

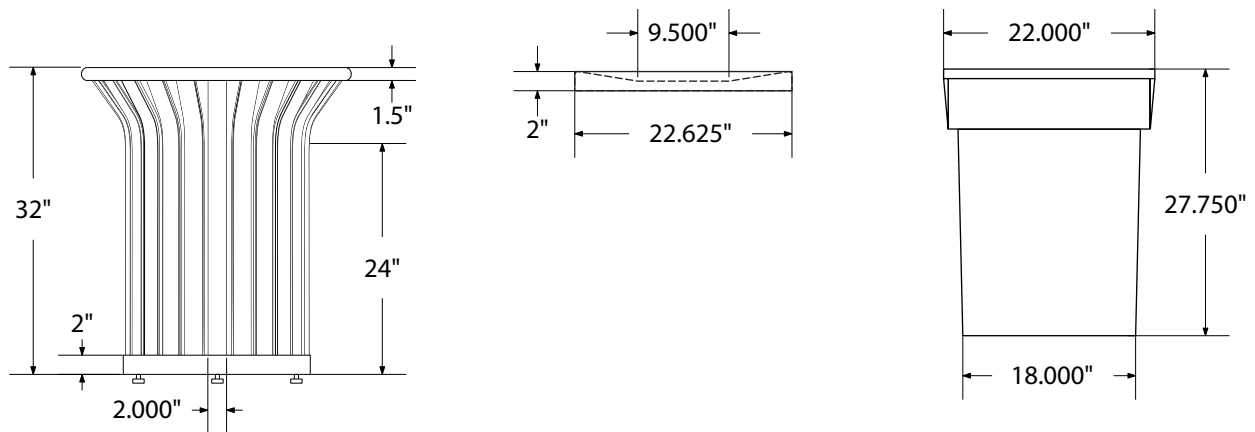
32 GALLON WELDED RECEPTACLE W SPUN METAL LID *portable* **Wt. 160 lbs**



bottom / top view



front view



RECEPTACLE

LID

INSERT

product details



Coated Surfaces:

- Thermoplastic coated
- Copolymer-based, environmentally safe
- Does not fade, crack, peel warp
- Applied at a thickness of 25-30 mils.
- 5 Year warranty on coating



Liner:

- Black polyethylene plastic

Construction:

- ¼" x 2" Steel straps
- 1½" Steel tube lip
- 4 Leveler feet
- Optional surface mount plate for B100, B200 mounts (see below)

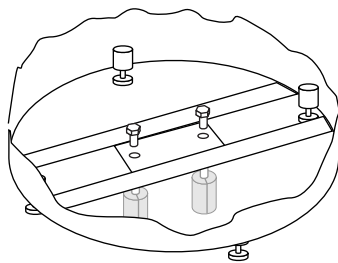
mounting types

P = Portable :
No mount.

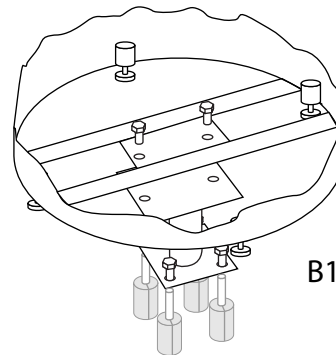
Surface Mount1:
Concrete anchors
through bottom plate.

Surface Mount2:
Bolts through bottom
plate into B100 surface
mount. B100 Mounted
to concrete with
anchors.

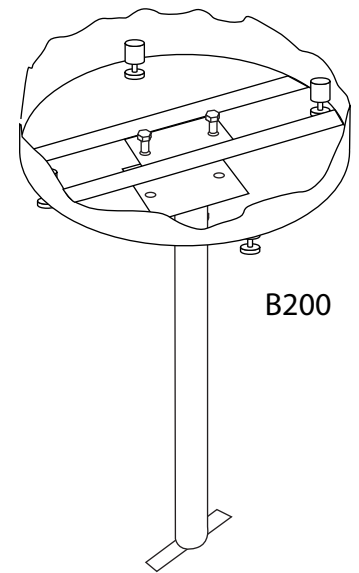
IG= In-Ground:
Bolts through bottom
plate into B200 surface
mount. B200 embed-
ded in hole filled with
concrete.



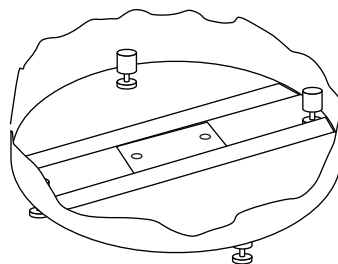
SURFACE MOUNT (1)



SURFACE MOUNT (2)



IN-GROUND



PORTABLE