

**SPEC SHEET: 32RR**

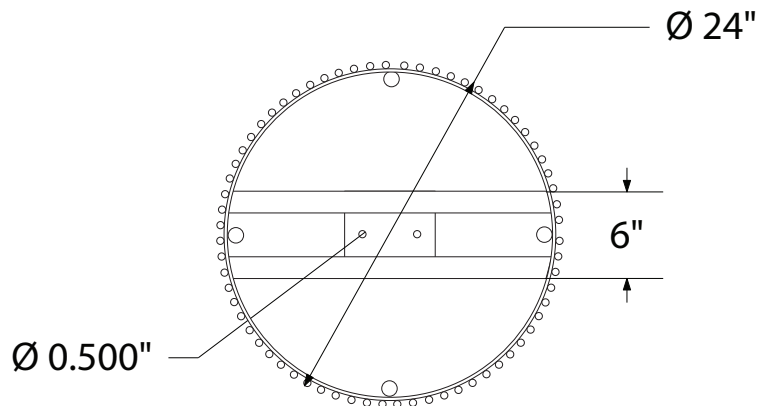
**32 GALLON ROD RECEPTACLE** *portable*

**Wt. 174 lbs**

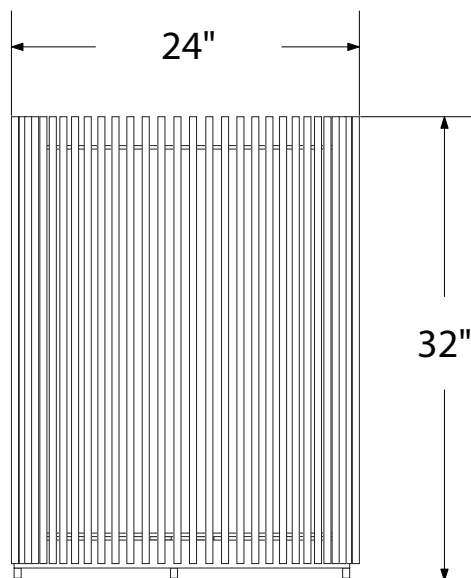


**AB32 LID  
FOR SHOW ONLY**

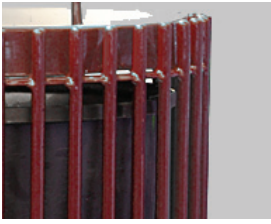
*bottom / top view*



*front view*



## product details



### Coated Surfaces:

- Thermoplastic coated
- Copolymer-based, environmentally safe
- Does not fade, crack, peel or warp
- Applied at a thickness of 25-30 mils.
- 5 Year warranty on coating

### Construction:

- 1/2" Welded steel rod construction

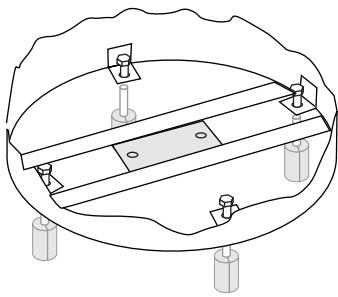
## mounting types

P = Portable : no mount

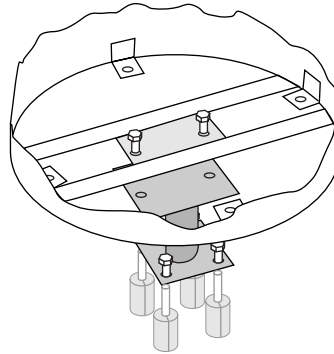
SM = Surface Mount:  
concrete anchors  
through taps welded  
to legs

2 Option  
anchor bolts attach  
to B100 receptacle  
mount

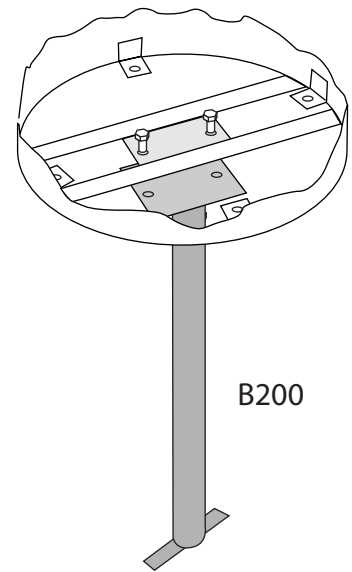
IG= In-Ground:  
anchor bolts attach  
to B200 receptacle  
mount



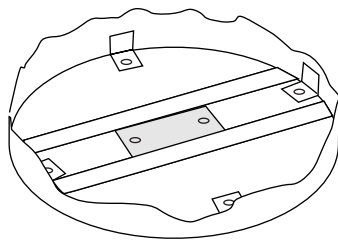
SURFACE MOUNT



B100



B200



PORTABLE

SURFACE MOUNT

IN-GROUND