

**SPEC SHEET: 32WR**

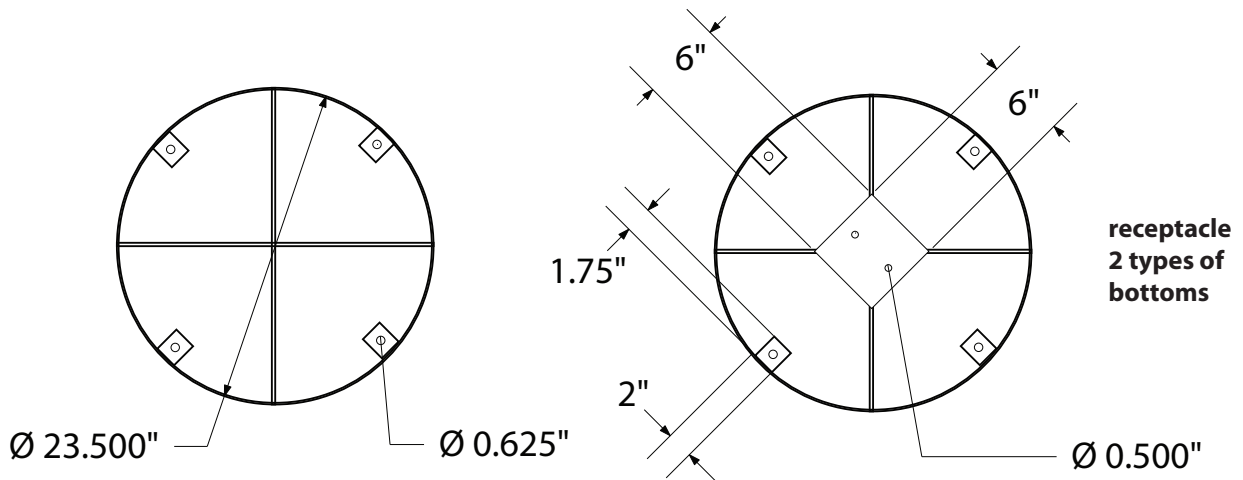
**32 GALLON WIRE RECEPTACLE** *portable*

**Wt. 78 lbs**

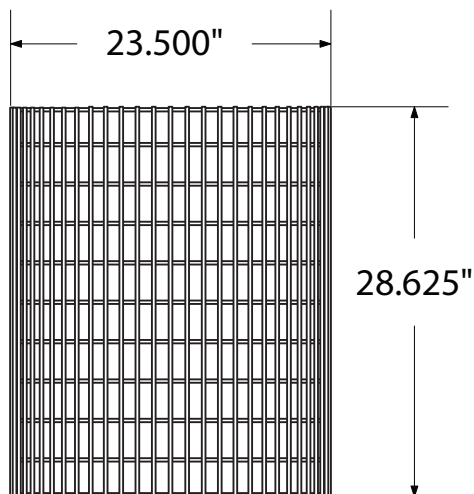


**32SML LID  
FOR SHOW ONLY**

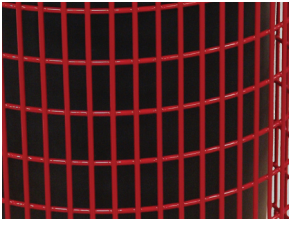
*bottom / top view*



*front view*



## product details



### Coated Surfaces:

- Thermoplastic coated
- Copolymer-based, environmentally safe
- Does not fade, crack, peel or warp
- Applied at a thickness of 25-30 mils.
- 5 Year warranty on coating

### Construction:

- Welded steel wire construction

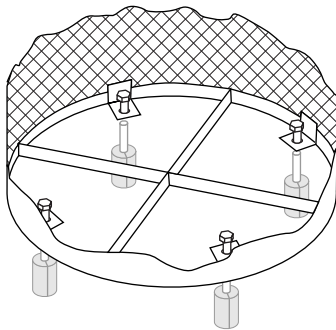
## mounting types

P = Portable : no mount

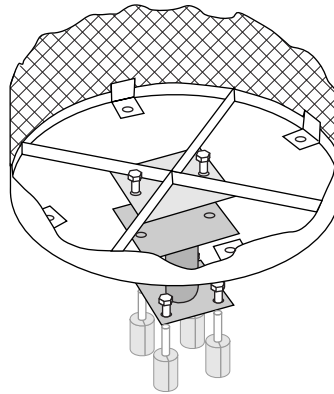
SM = Surface Mount:  
concrete anchors  
through taps welded  
to legs

2 Option  
anchor bolts attach  
to B100 receptacle  
mount

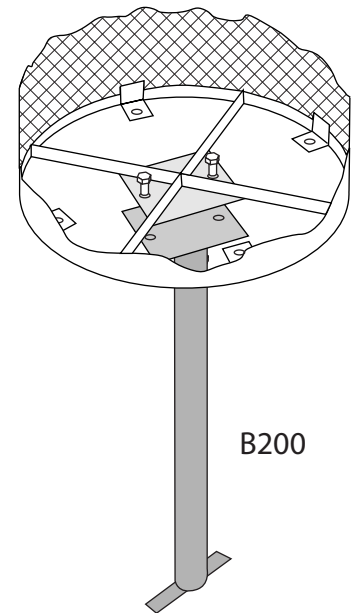
IG= In-Ground:  
anchor bolts attach  
to B200 receptacle  
mount



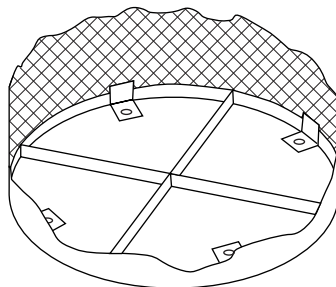
SURFACE MOUNT



B100  
SURFACE MOUNT



B200  
IN-GROUND



PORTABLE