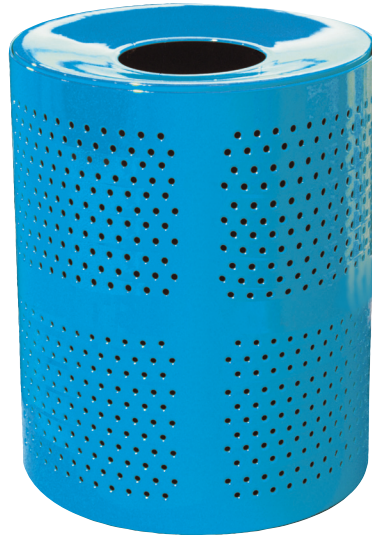


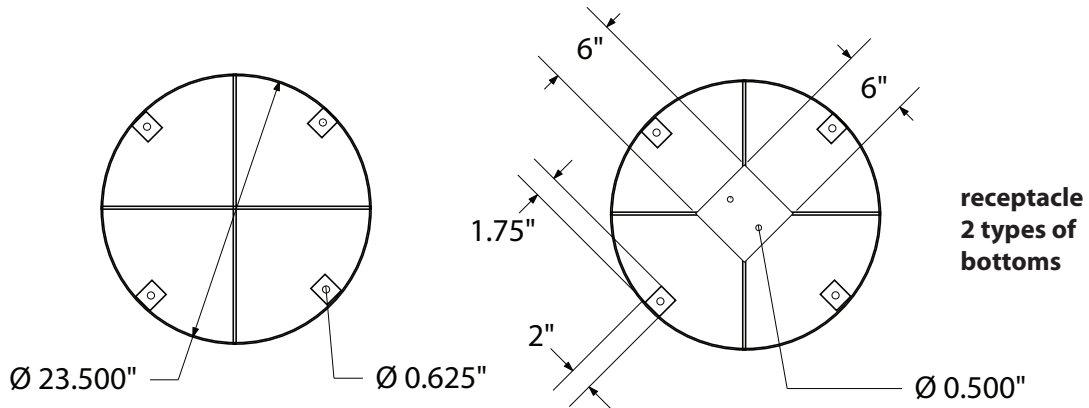
SPEC SHEET: R32-PERF

32 GALLON PERF RECEPTACLE *portable*

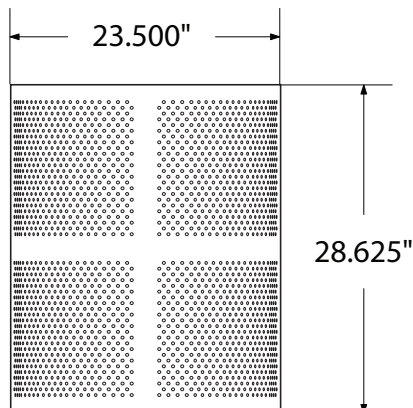
Wt. 95 lbs



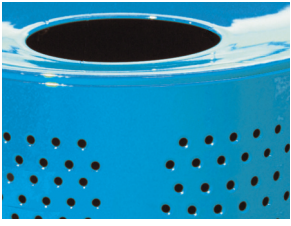
bottom / top view



front view



product details



Coated Surfaces:

- Thermoplastic coated
- Copolymer-based, environmentally safe
- Does not fade, crack, peel or warp
- Applied at a thickness of 25-30 mils.
- 5 Year warranty on coating

Construction:

- 11 Gauge steel

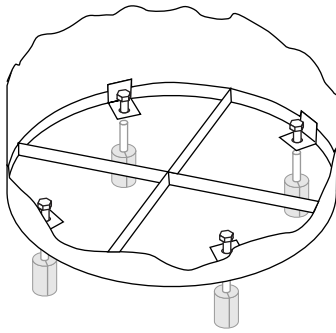
mounting types

P = Portable : no mount

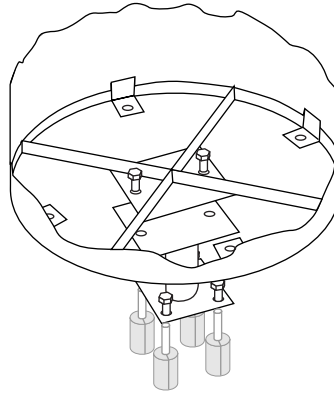
SM = Surface Mount:
concrete anchors
through taps welded
to legs

2 Option
anchor bolts attach
to B100 receptacle
mount

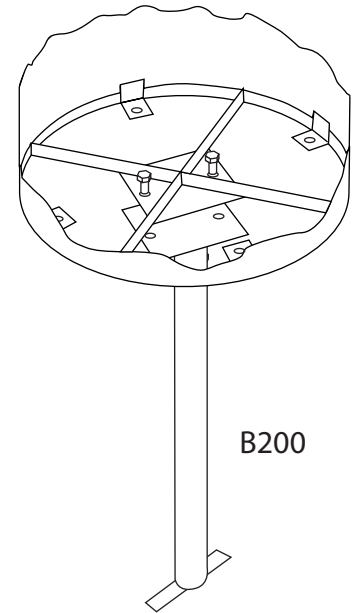
IG= In-Ground:
anchor bolts attach
to B200 receptacle
mount



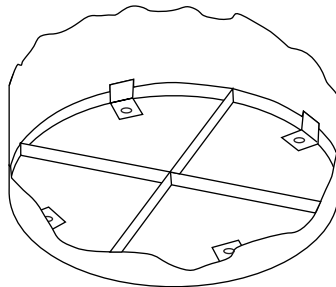
SURFACE MOUNT



B100



B200



PORTABLE

SURFACE MOUNT

IN-GROUND