

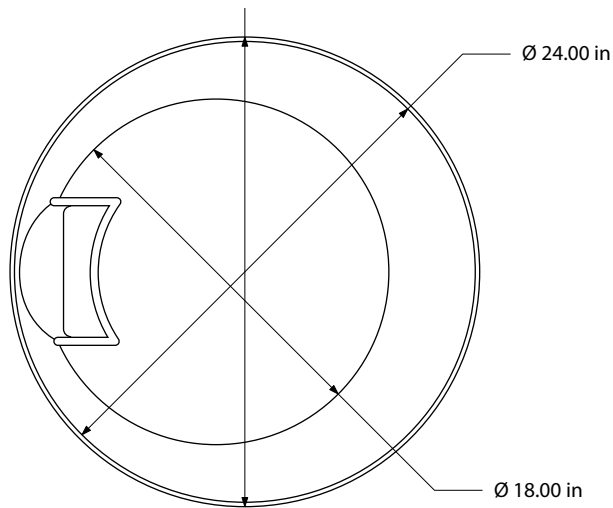
**SPEC SHEET: 32DLM**

**32 GAL. /45 GAL. DOME LID W/INSET DOOR**

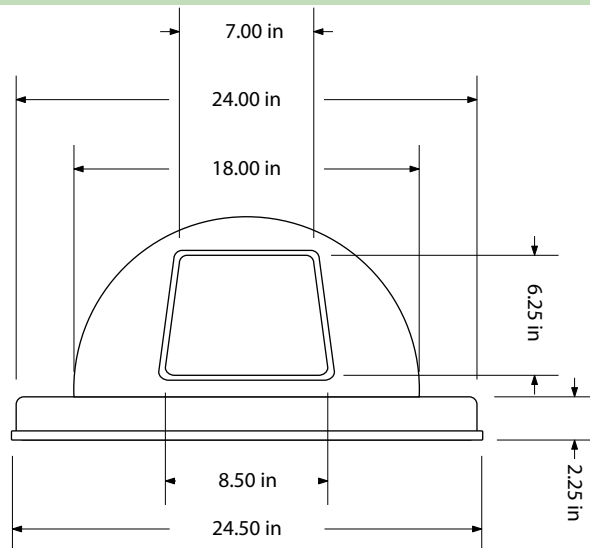
**Wt. 10 lbs**



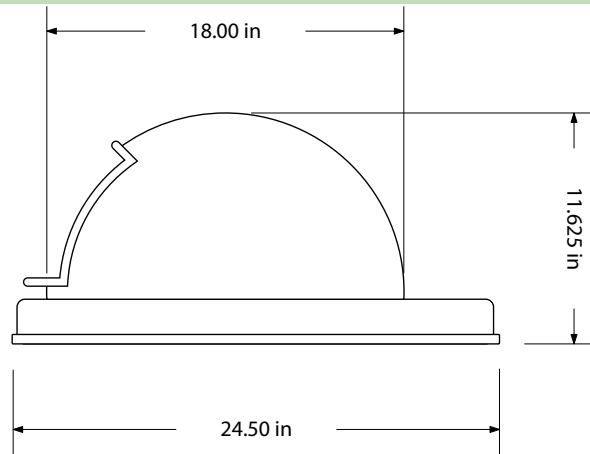
*bottom / top view*



*front view*



## side view



## product details



### Coated Surfaces:

- Thermoplastic coated
- Copolymer-based, environmentally safe
- Does not fade, crack, peel or warp
- Applied at a thickness of 25-30 mils.
- 5 Year warranty on coating

### Construction:

- 11 Gauge steel