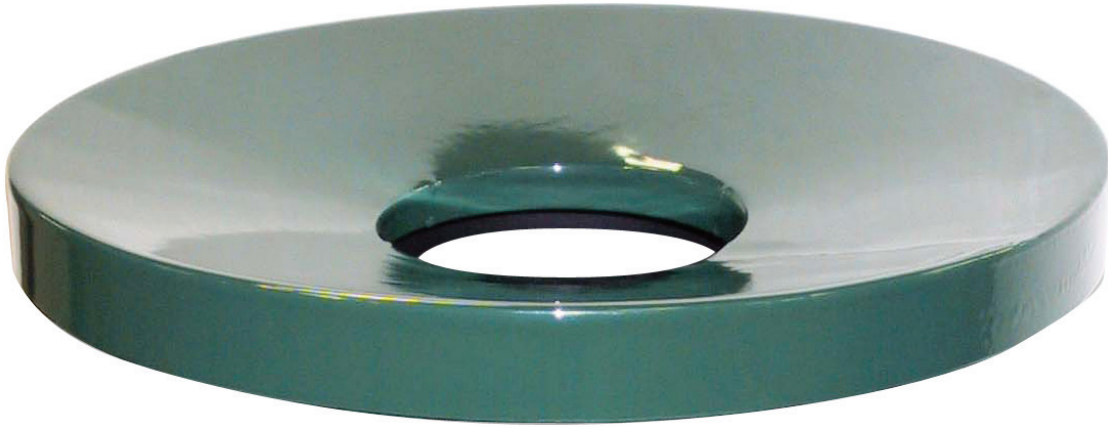


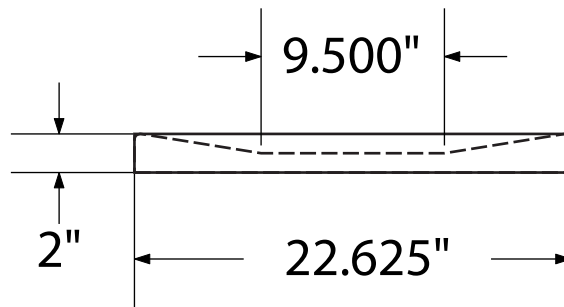
**SPEC SHEET: 32SML**

**CONCAVE SPUN METAL LID**

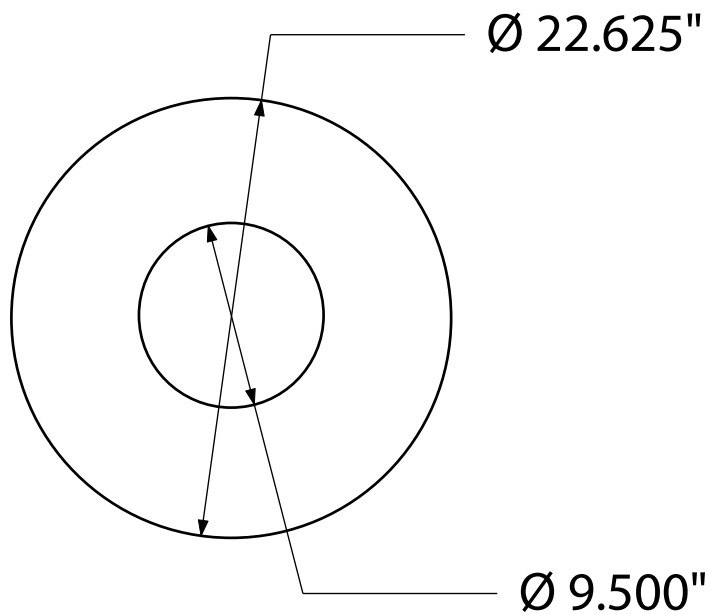
**Wt. 20 lbs**



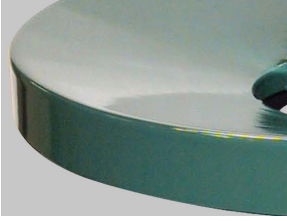
*bottom / top view*



*front view*



## *product details*



### Coated Surfaces:

- Thermoplastic coated
- Copolymer-based, environmentally safe
- Does not fade, crack, peel warp
- Applied at a thickness of 25-30 mils.
- 5 Year warranty on coating

### Construction:

- 20 gauge steel