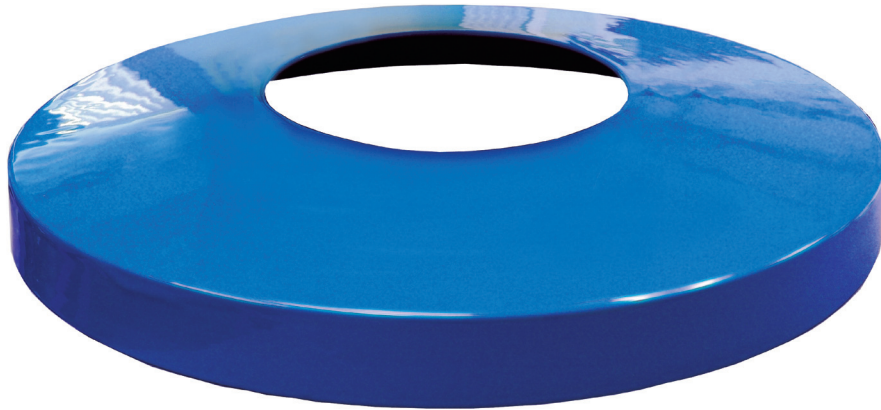


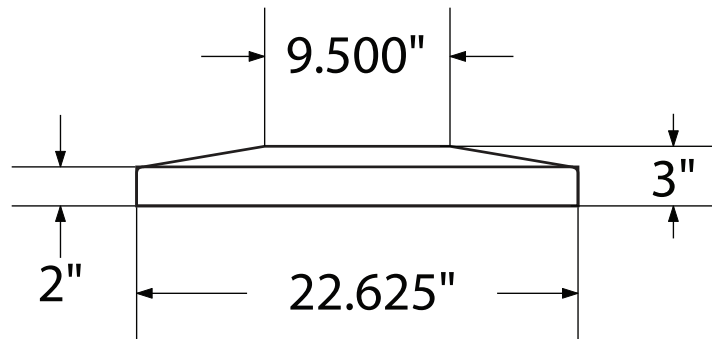
SPEC SHEET: 32SMLX

CONVEX SPUN METAL LID

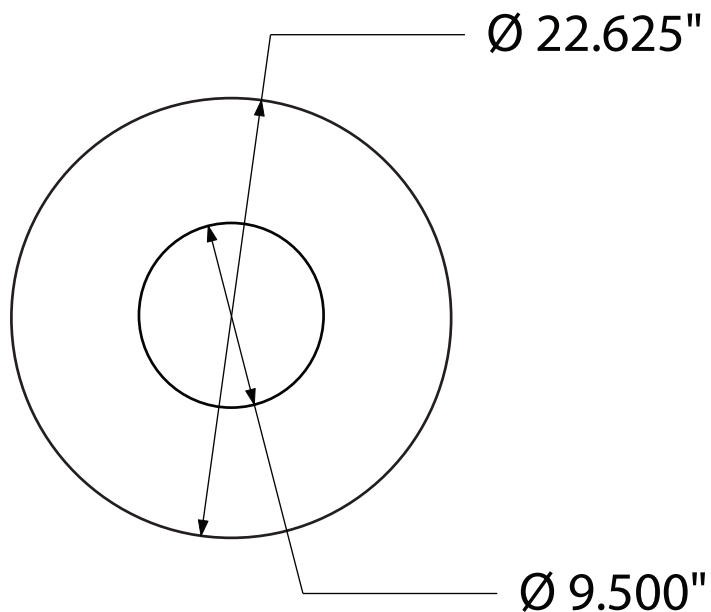
Wt. 20 lbs



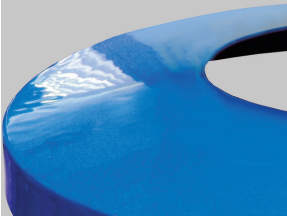
bottom / top view



front view



product details



Coated Surfaces:

- Thermoplastic coated
- Copolymer-based, environmentally safe
- Does not fade, crack, peel warp
- Applied at a thickness of 25-30 mils.
- 5 Year warranty on coating

Construction:

- 20 gauge steel