

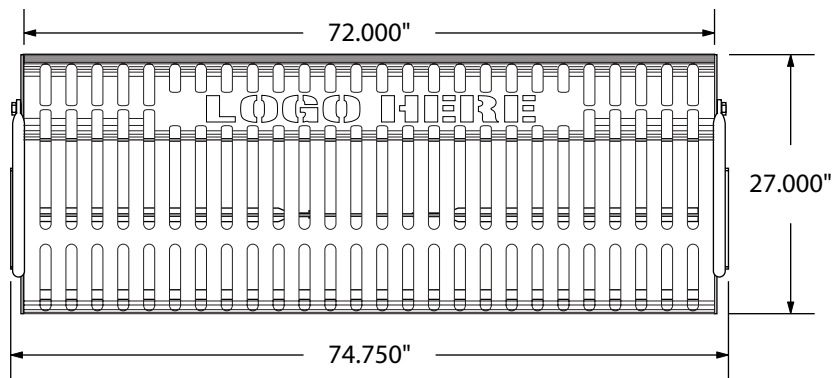
SPEC SHEET: PVSB6IG

6' PERSONALIZED VERTICAL SLATTED BENCH IN-GROUND

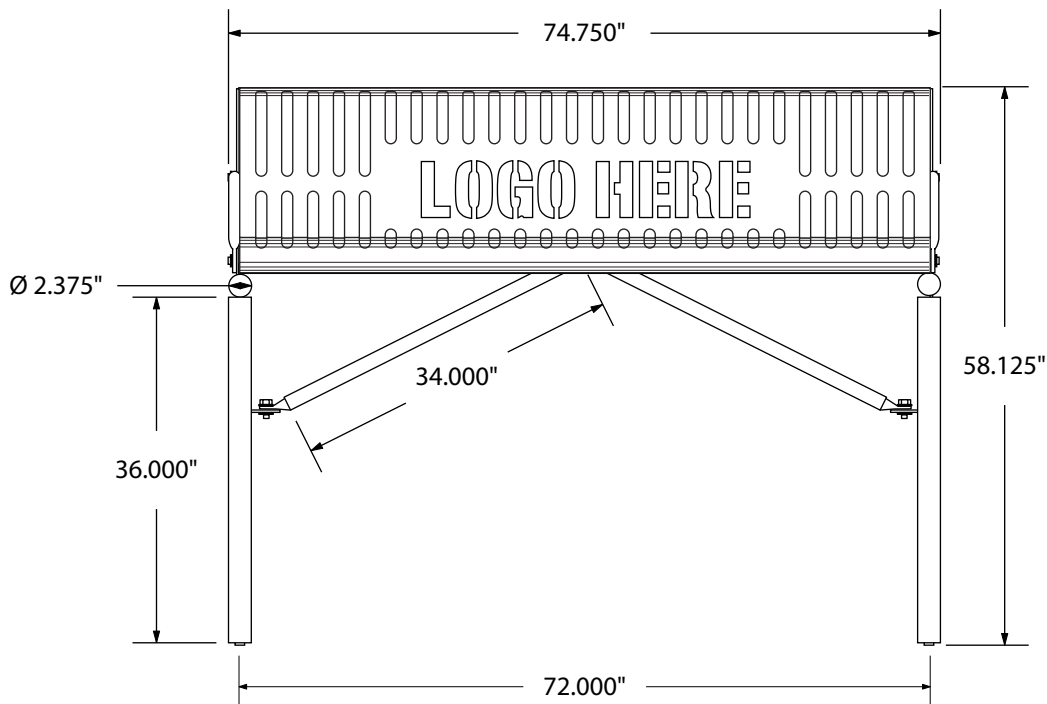
Wt. 200 lbs



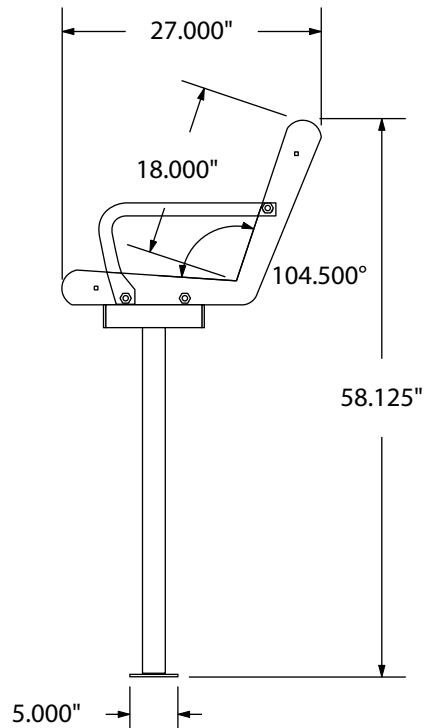
top view



front



side view



product finish



The functional surfaces of our furniture are covered in a copolymer-based thermoplastic powder coating. Thermoplastic is environmentally safe, the coating will never fade, crack, peel, warp, or discolor for the life of the product. Thermoplastic is applied at a thickness of 25-30 mils.



Tubular legs and under structure parts are made from galvanized steel and are finished with black polyester powder coating.

mounting types

P = Portable : no mount

SM = Surface Mount:
concrete anchors
through holes on legs

IG= In-Ground:
Straight tubular leg em-
bedded in concrete
filled hole.

