

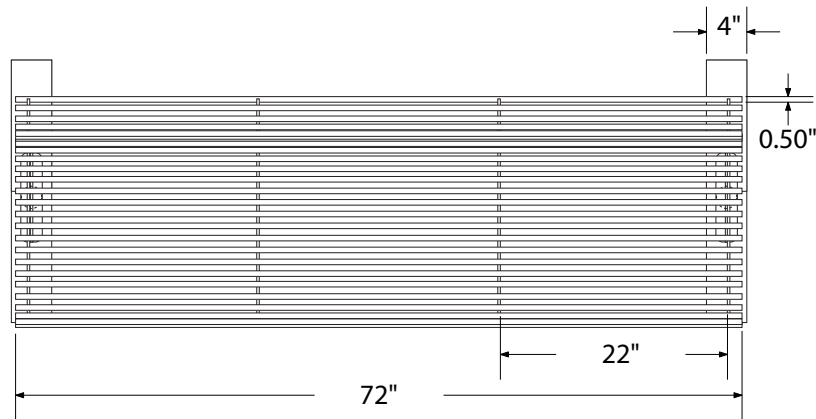
**SPEC SHEET: RB72**

**6' STEEL ROD BENCH** *PORTABLE*

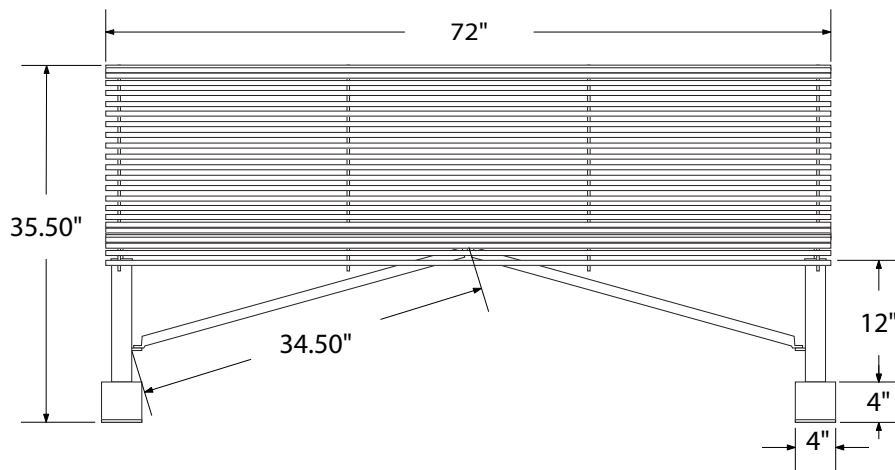
**Wt. 254bs**



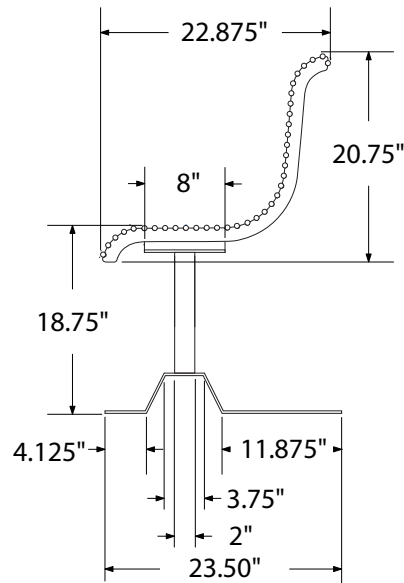
*top view*



*front*



## side view



## product finish



The functional surfaces of our furniture are covered in a copolymer-based thermoplastic powder coating. Thermoplastic is environmentally safe, the coating will never fade, crack, peel, warp, or discolor for the life of the product. Thermoplastic is applied at a thickness of 25-30 mils.



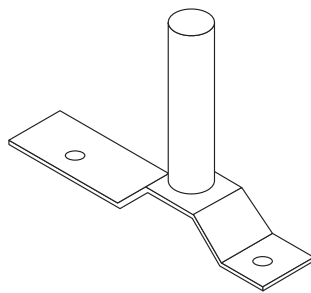
Tubular legs and understructure parts are made from galvanized steel and are finished with black polyester powder coating.

## mounting types

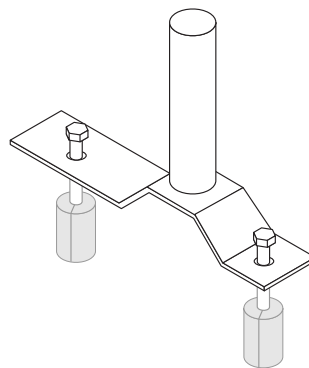
P = Portable : no mount

SM = Surface Mount:  
concrete anchors  
through holes on legs

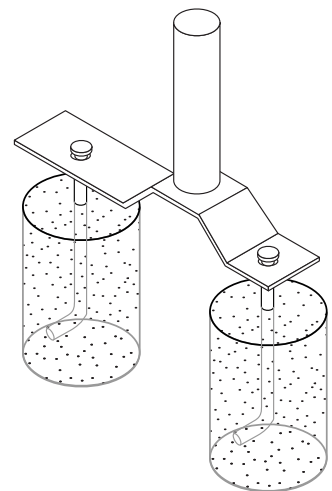
IG= In-Ground:  
J-rods set in concrete  
through welded  
to legs



PORTABLE



SURFACE MOUNT



IN-GROUND