

**SPEC SHEET: ULNB4-PERF**

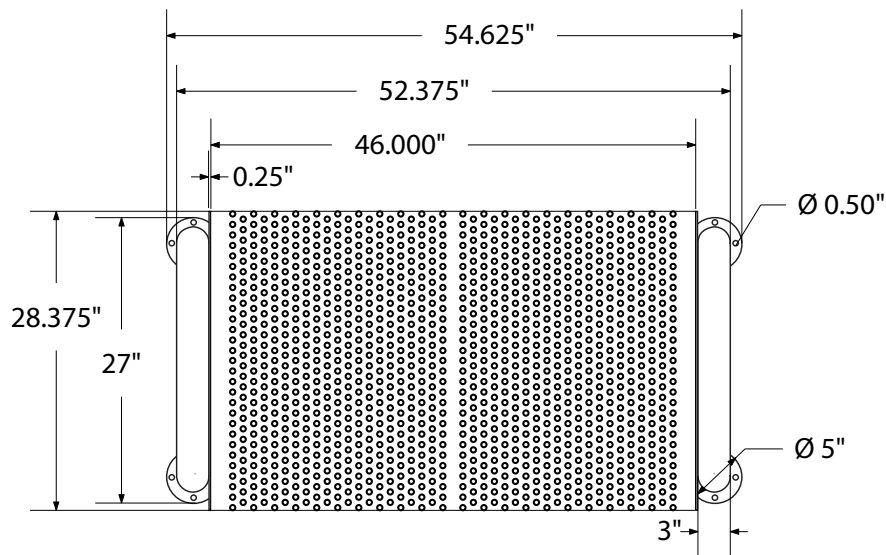
**4' U-LEG PERFORATED BENCH WITHOUT BACK** PORTABLE

**Wt. 110bs**

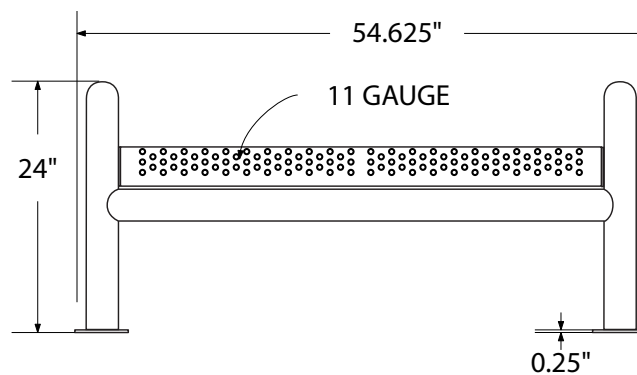


ULNB6-PERF FOR SHOW ONLY

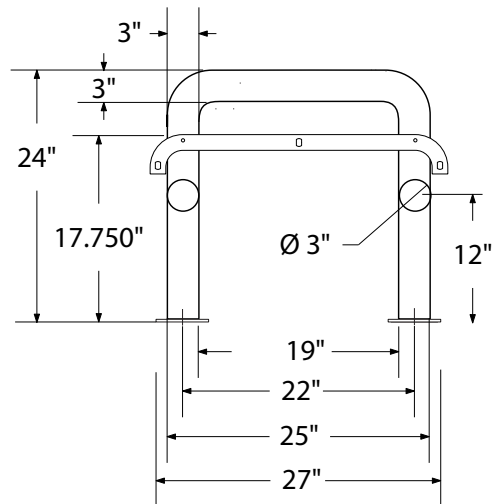
**top view**



**front**



## side view



## product finish



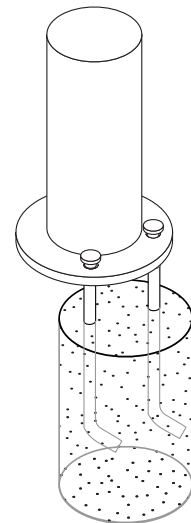
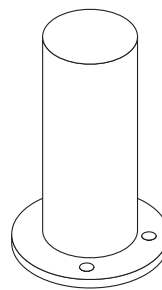
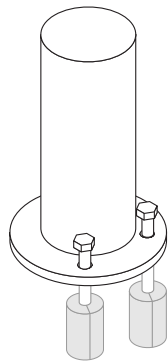
The functional surfaces of our furniture are covered in a copolymer-based thermoplastic powder coating. Thermoplastic is environmentally safe, the coating will never fade, crack, peel, warp, or discolor for the life of the product. Thermoplastic is applied at a thickness of 25-30 mils.

## mounting types

P = Portable : no mount

SM = Surface Mount:  
concrete anchors  
through holes on legs

IG= In-Ground:  
J-rods set in concrete  
through welded  
to legs



PORTABLE

SURFACE MOUNT

IN-GROUND