

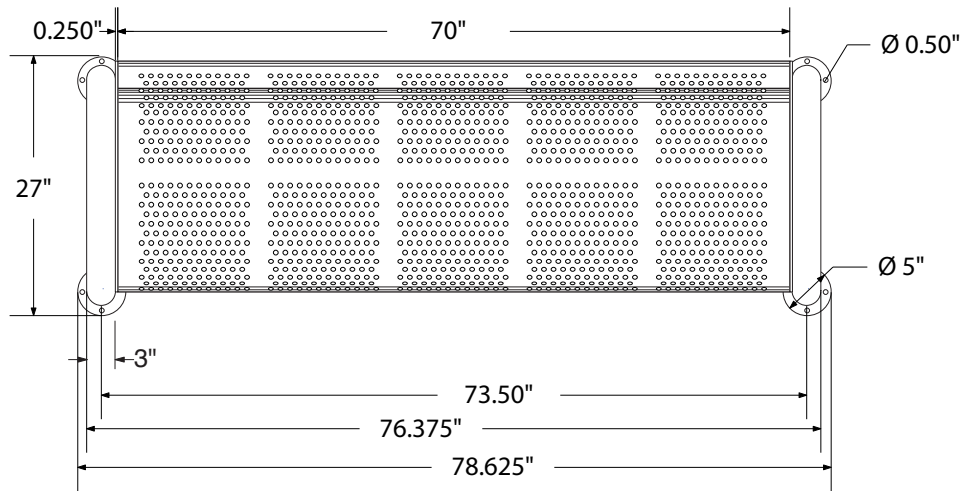
SPEC SHEET: ULRF72-PERF

6' U-LEG PERFORATED BENCH SURFACE MOUNT

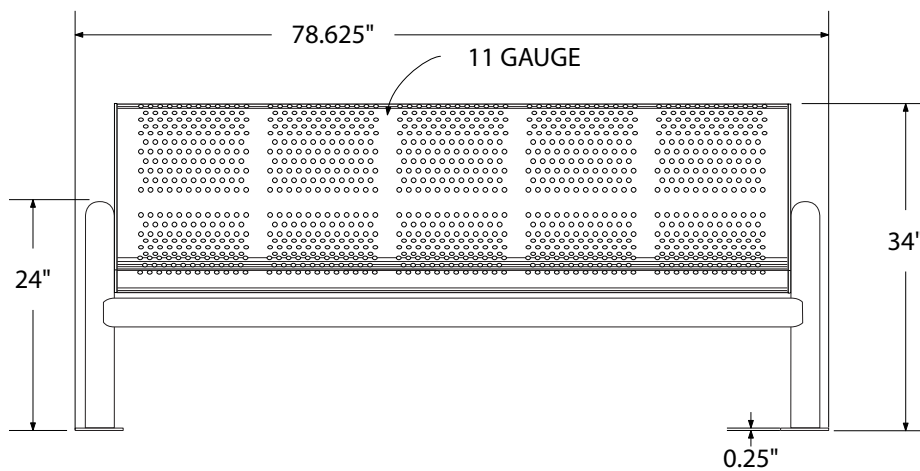
Wt. 250 lbs



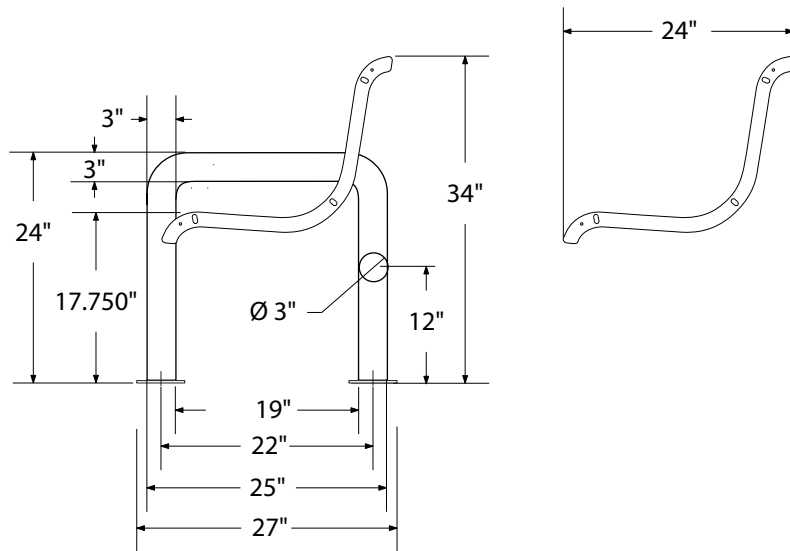
top view



front / back view



side view



product finish



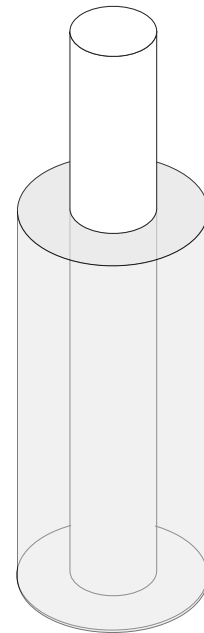
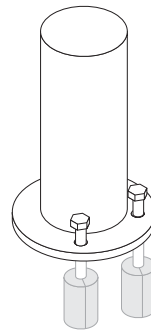
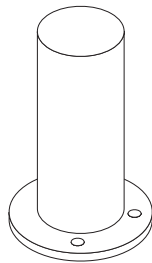
The functional surfaces of our furniture are covered in a copolymer-based thermoplastic powder coating. Thermoplastic is environmentally safe, the coating will never fade, crack, peel, warp, or discolor for the life of the product. Thermoplastic is applied at a thickness of 25-30 mils.

mounting types

P = Portable : no mount

SM = Surface Mount:
concrete anchors
through discs welded
to legs

IG= In-Ground:
extra long legs



PORTABLE

SURFACE MOUNT

IN-GROUND