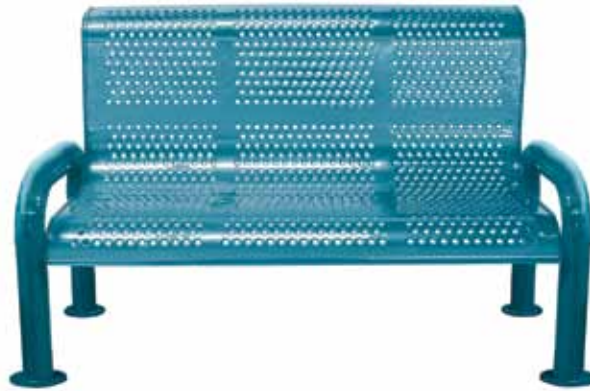


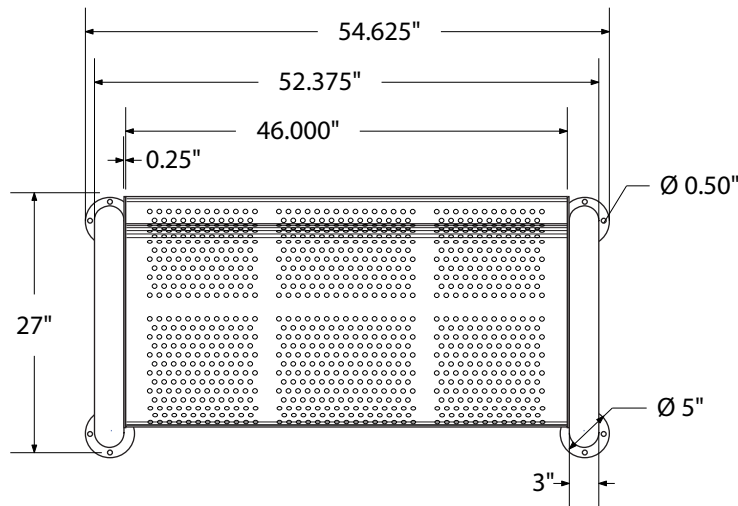
**SPEC SHEET: ULRF48-PERF**

**4' U-LEG PERFORATED BENCH SURFACE MOUNT**

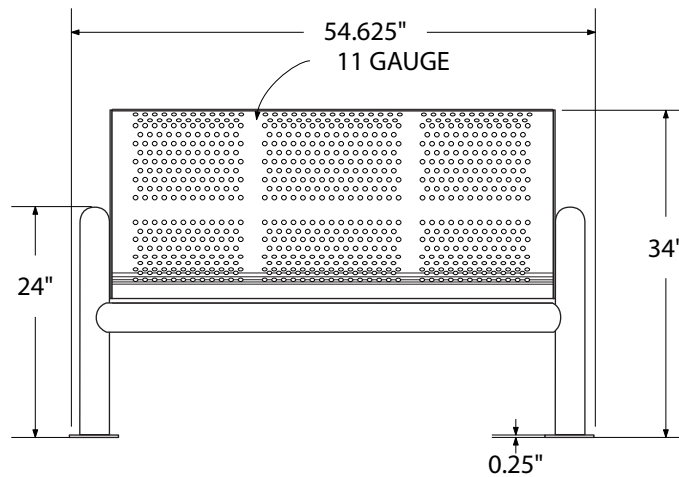
**Wt. 220 lbs**



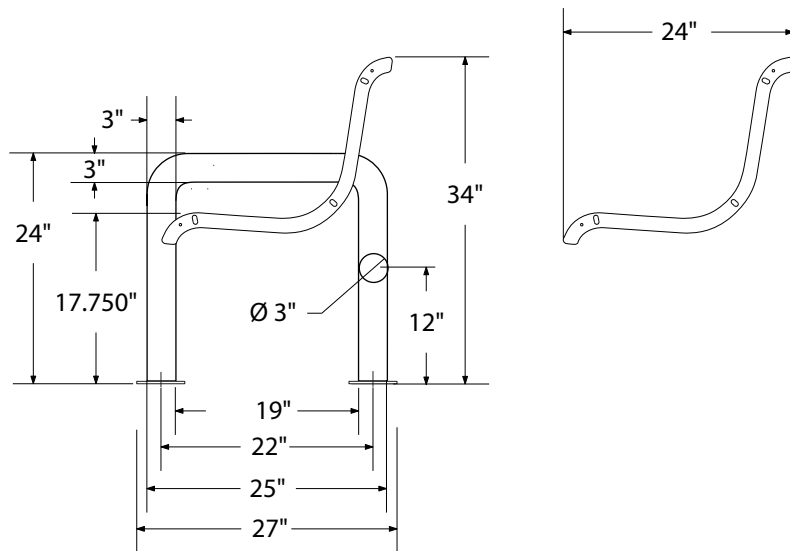
*top view*



*front / back view*



## side view



## product finish



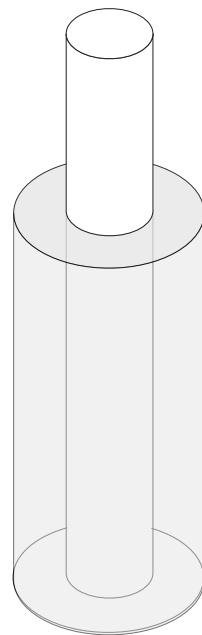
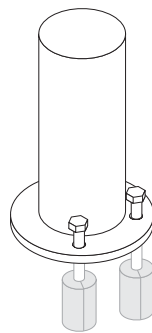
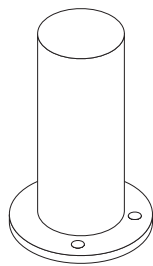
The functional surfaces of our furniture are covered in a copolymer-based thermoplastic powder coating. Thermoplastic is environmentally safe, the coating will never fade, crack, peel, warp, or discolor for the life of the product. Thermoplastic is applied at a thickness of 25-30 mils.

## mounting types

P = Portable : no mount

SM = Surface Mount:  
concrete anchors  
through discs welded  
to legs

IG= In-Ground:  
extra long legs



PORTABLE

SURFACE MOUNT

IN-GROUND