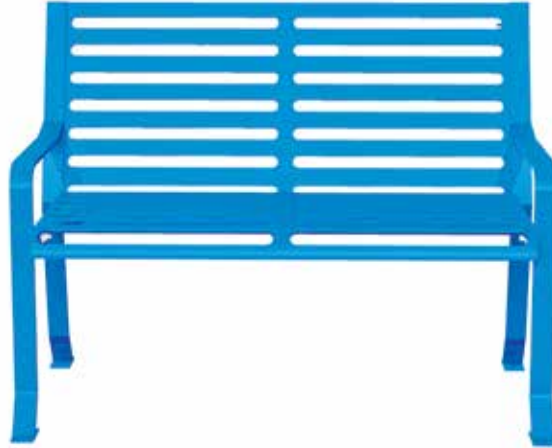


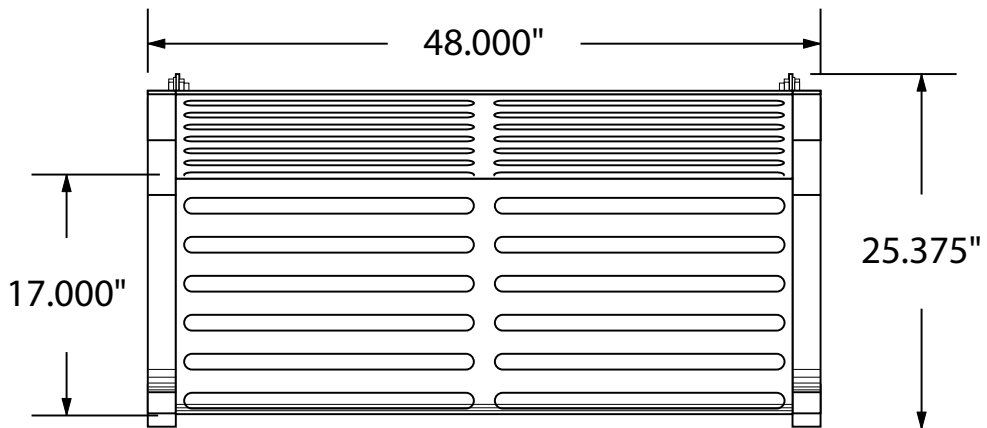
SPEC SHEET: HSB4

4' HORIZONTAL SLATTED BENCH

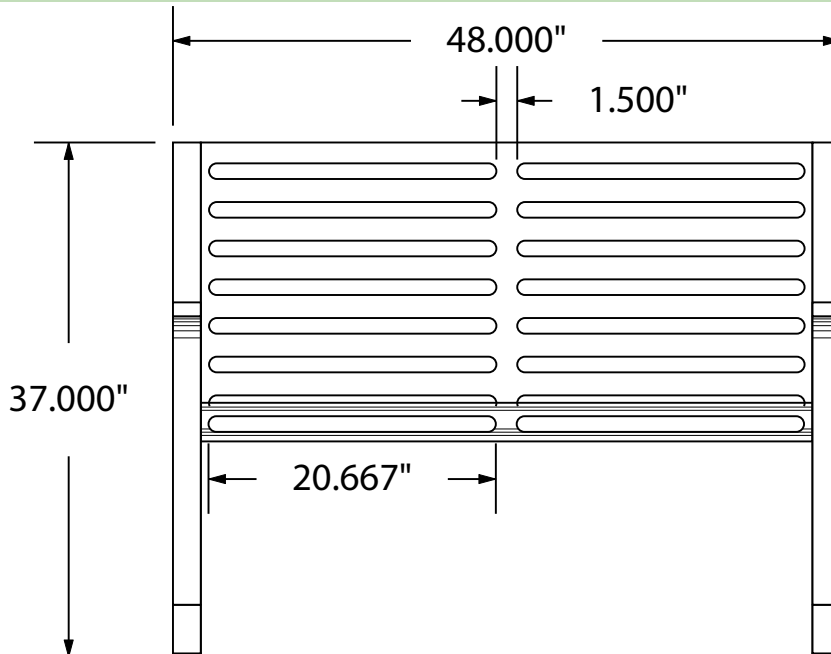
Wt. 235 lbs



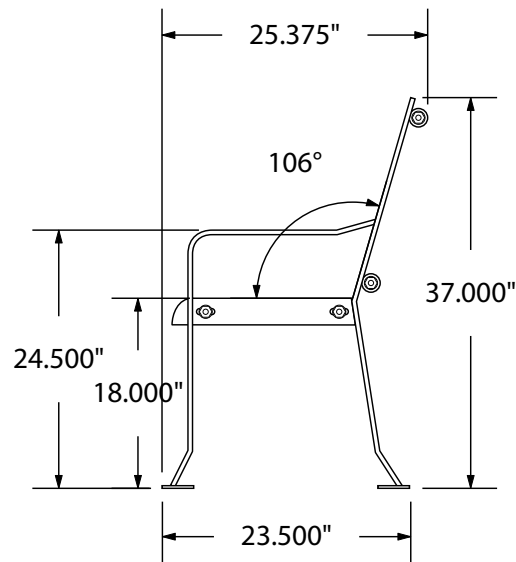
top view



front



side view



product finish



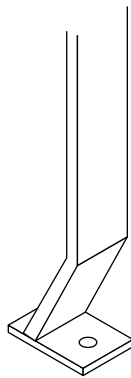
- 11 Gage steel construction
- Leg assembly constructed from $\frac{3}{8}$ " steel

The functional surfaces of our furniture are covered in a copolymer-based thermoplastic powder coating. Thermoplastic is environmentally safe, the coating will never fade, crack, peel, warp, or discolor for the life of the product. Thermoplastic is applied at a thickness of 25-30 mils.

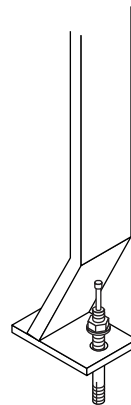
mounting types

P = Portable : no mount

SM = Surface Mount:
concrete anchors
through holes on legs



portable



surface mount