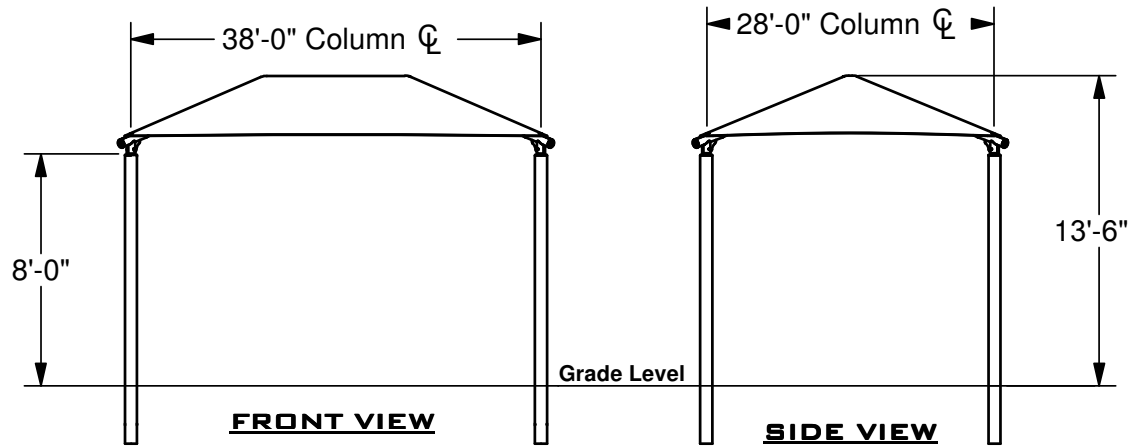


RECTANGLE HIP SHADE

28' x 38' x 8'

MODEL #:
RD283808IG (With Glide Elbows)
RD283808IN (Without Glide Elbows)



REF.#	PART DESCRIPTION	QTY.
1	Ø6.6" Capped Surface Mount Column	4
2	Angled Elbow	4
3	Ø3.5" Hip Rafter w/ Swaged End	4
4	Ø3.5" Ridge Pole w/ Swaged Ends	1
5	Rectangle "Y" Connection	2
6	Fabric Cover w/ Cable Insert	1
7	Frame Hardware Kit	1

