

SPECS AND INSTALL INSTRUCTIONS

Personalized Perforated Metal Stackable Commercial Chair

SKU:

CF-8NW7A



Product maintenance

Inspect all hardware and fasteners, regularly check that all nuts and bolts are secure. Periodically examine for any signs of vandalism on any of your products thermoplastic surfaces. If any thermoplastic surface is vandalized by spray paint, simply take a rag and a aerosol can of WD40 ® and wipe the spray paint off. If the thermoplastic surface has any cuts simply take an industrial heat gun to the affected area. For regular cleaning use soap and water.

Thermoplastic Coating

Our outdoor furniture is covered in a copolymer-based thermoplastic powder coating. Thermoplastic is environmentally safe, the coating will never fade, crack, peel, warp, or discolor for the life of the product. Thermoplastic has the best adhesion rate of any other process. This keeps the metal base free of any corrosion possibilities. Thermoplastic is applied at a thickness of 25-30 mils. This allows maximum protection with the best possible surface. Thermoplastic can be easily repaired. Cuts are repaired by heating the affected area with an industrial heat gun. The thermoplastic will rebound itself. The properties of thermoplastic also make spray painting difficult for vandals. Simply wash product with a standard industrial cleaner.

Specifications

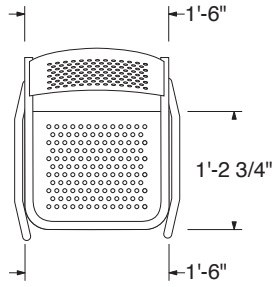
General

All chairs are for indoor or outdoor use. 11 gauge steel, available personalized seat back, and a thermoplastic finish.

Check for any damaged or missing parts of if you have problems assembling your furniture / equipment please call our Customer Service Representatives.

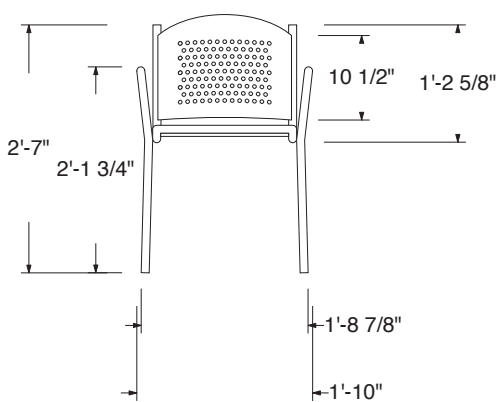
Perforated Chair

Top view

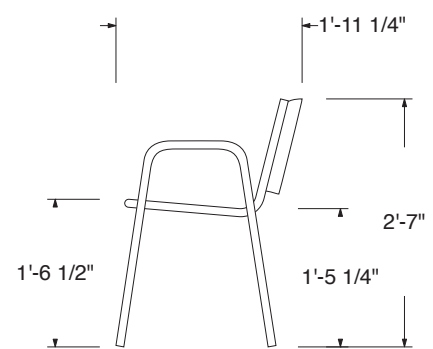


Seat Side view

Front View



Side view



Available Styles

Quantities

Hardware



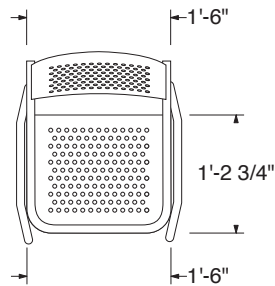
Perforated Metal

scale 1/2" = 1'



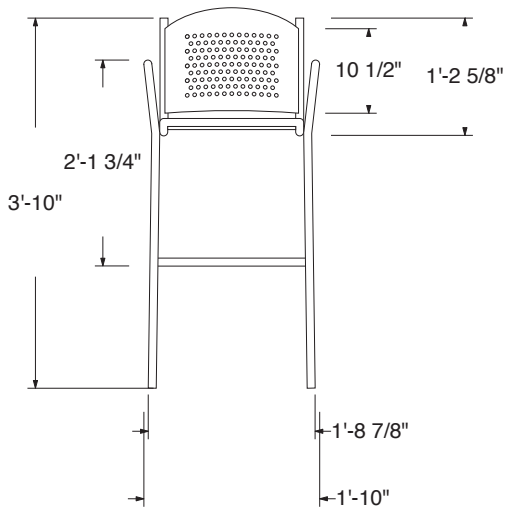
Perforated Bar Chair

Top view

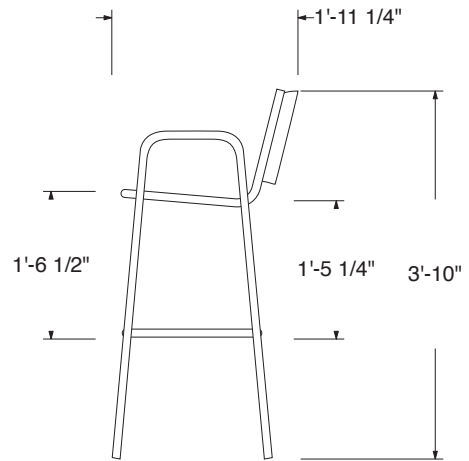


Seat Side view

Front View



Side view



Available Styles

Quantities

Hardware



Perforated Metal

scale 1/2" = 1'

