

## SPECS AND INSTALL INSTRUCTIONS

### Backless Expanded Metal Park Bench

SKU:

---

4' CF-QLBLQ      6' CF-MD64D  
8' CF-NJSBP      10' CF-XMPB4  
15' CF-N4FHN



### Product maintenance

Inspect all hardware and fasteners, regularly check that all nuts and bolts are secure. Periodically examine for any signs of vandalism on any of your products thermoplastic surfaces. If any thermoplastic surface is vandalized by spray paint, simple take a rag and a aerosol can of WD40 ® and wipe the spray paint off. If the thermoplastic surface has any cuts simple take an industrial heat gun to the affected area. For regular cleaning use soap and water.

### Thermoplastic Coating

Our outdoor furniture is covered in a copolymer-based thermoplastic powder coating. Thermoplastic is environmentally safe, the coating will never fade, crack, peel, warp, or discolor for the life of the product. Thermoplastic has the best adhesion rate of any other process. This keeps the metal base free of any corrosion possibilities. Thermoplastic is applied at a thickness of 25-30 mils. This allows maximum protection with the best possible surface. Thermoplastic can be easily repaired. Cuts are repaired by heating the affected area with an industrial heat gun. The thermoplastic will rebound itself. The properties of thermoplastic also make spray painting difficult for vandals. Simply wash product with a standard industrial cleaner.

### Specifications

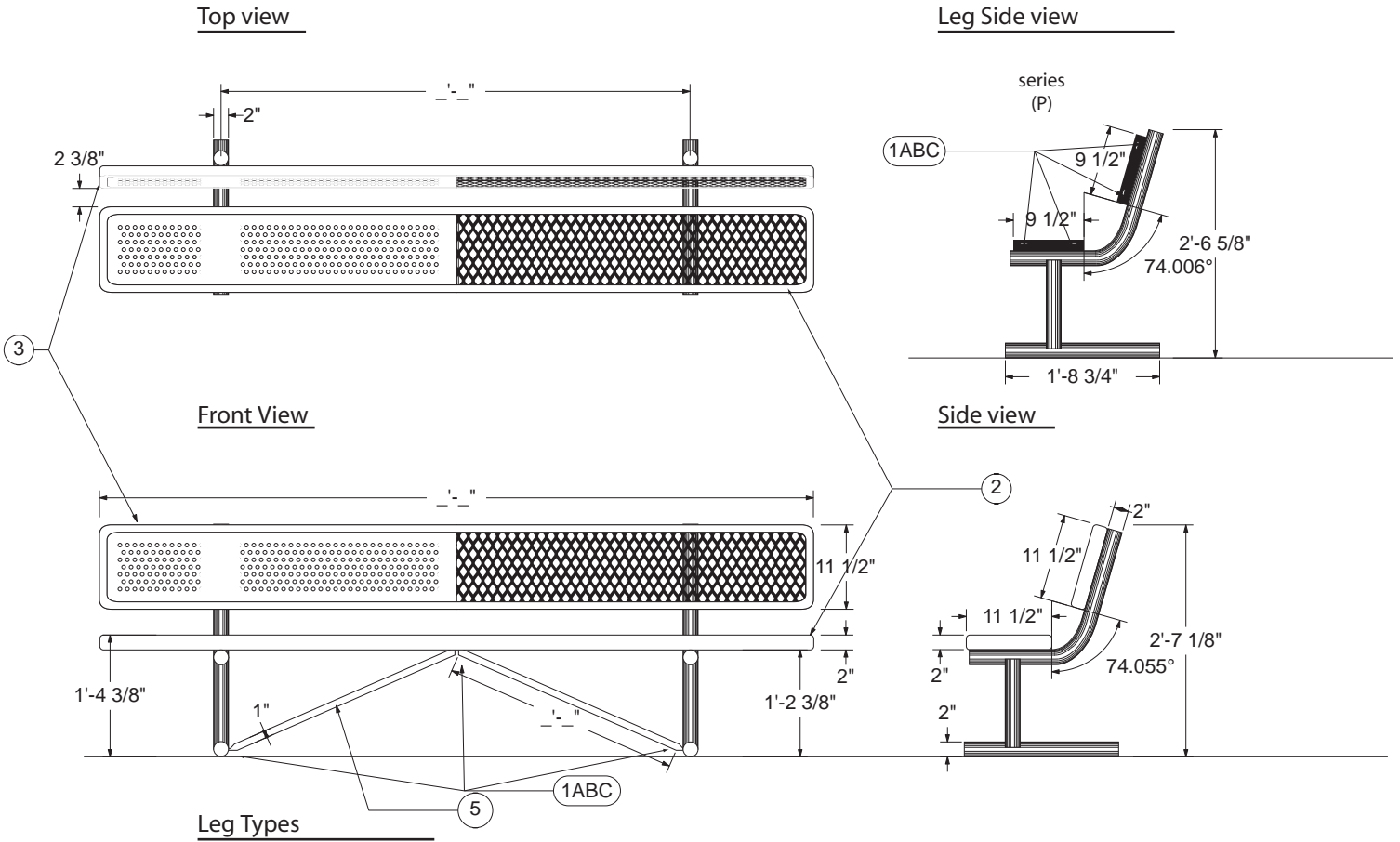
#### General

All seats and backs of the listed products above are protected with Thermoplastic coating. Black powder coated galvanized steel legs and support structure. Available in expanded metal and perforated metals seats and backs. Personalization is also available.

Check for any damaged or missing parts of if you have problems assembling your furniture / equipment please call our Customer Service Representatives.



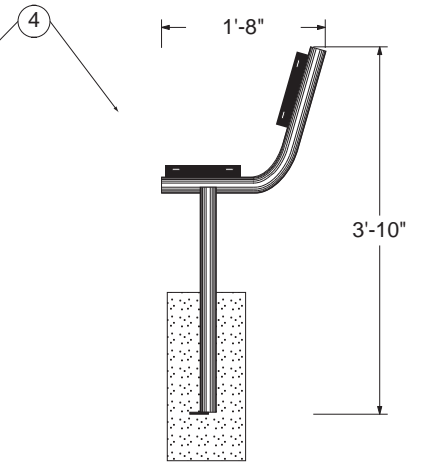
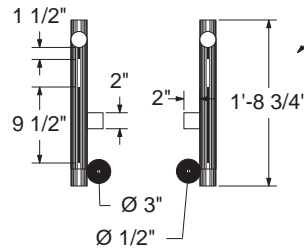
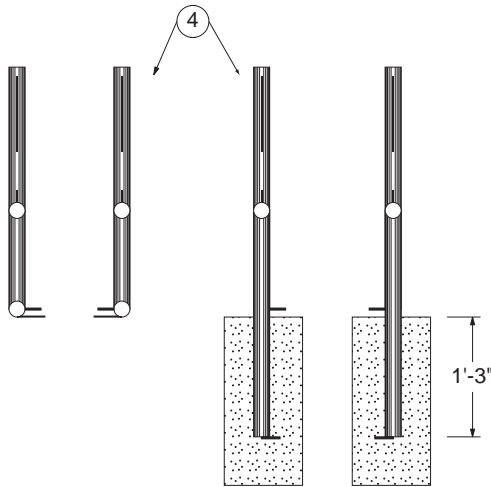
# Standard Metal Bench with Back



Front View

Top view


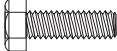



Side view



## Available Styles

## Quantities (per bench)

## Hardware

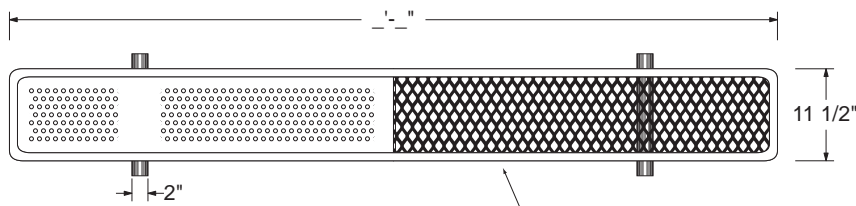
 Expanded Metal	1A - 5/16" Hex head bolts	- qty 11	
	1B - 5/16" Washer	- qty 22	
 Perforated Metal	1C - 5/16" Nut	- qty 11	 
	2 - Bench seat	- qty 1	
	3 - Bench back	- qty 1	
	4 - Leg Types (per bench)	- qty 2	
	5 - Cross braces	- qty 2	

scale 1/2" = 1'

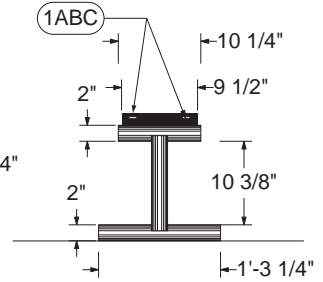


# Standard Metal Bench w/o Back

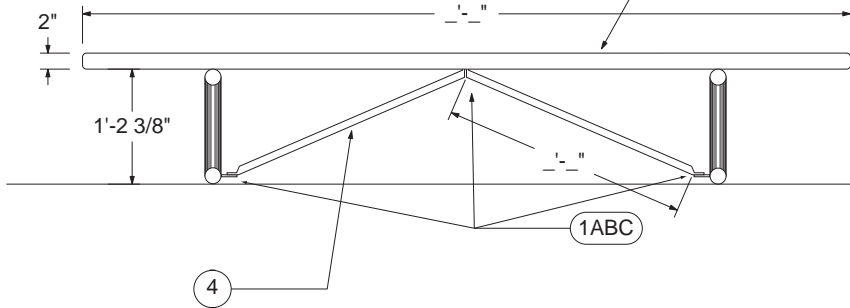
Top view



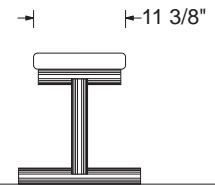
Seat Side view



Front View



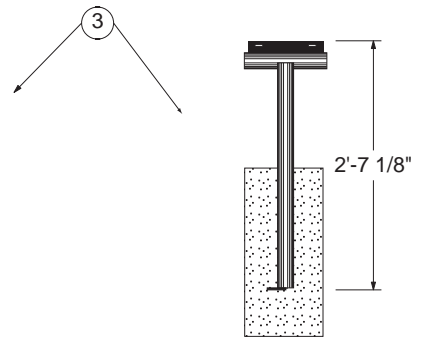
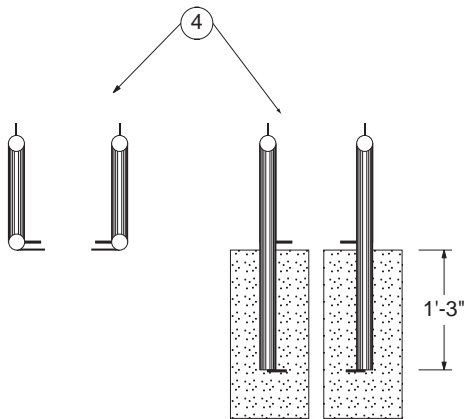
Side view



Front View

Top view

Side view



Available Styles

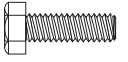




Expanded Metal  
Perforated Metal

Quantities (per bench)

- 1A - 5/16" Hex head bolts - qty 7
- 1B - 5/16" Washer - qty 14
- 1C - 5/16" Nut - qty 7
- 2 - Bench seat - qty 1
- 3 - Leg Types (per bench) - qty 2
- 4 - Cross Braces - qty 2

Hardware

- (A) 5/16" Hex head bolt 
- (B) 5/16" Washer 
- (C) 5/16" Nut 

scale 1/2" = 1'





