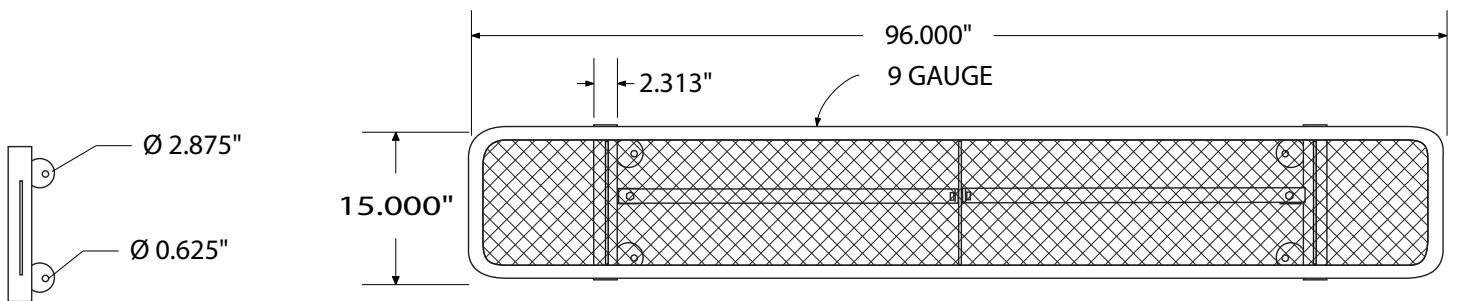


**SPEC SHEET: B8XPLSM**

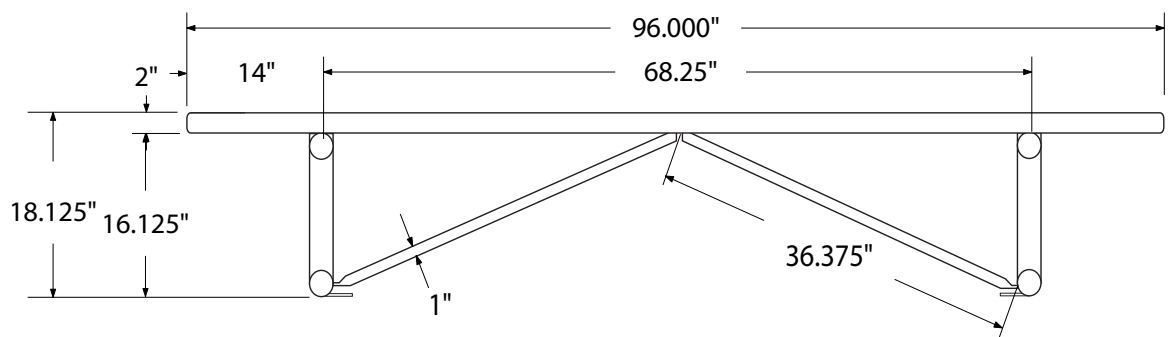
**8' STANDARD EXP PLAYER'S BENCH WITHOUT BACK** SURFACE MOUNT **Wt. 98 lbs**



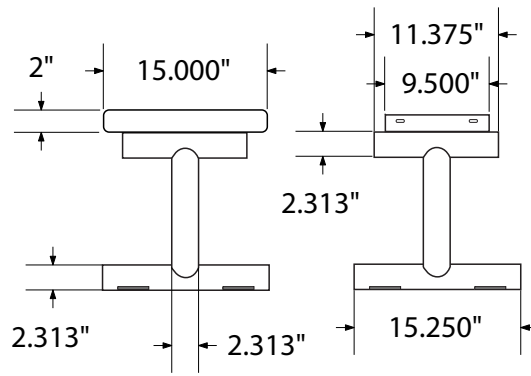
*top view*



*front*



**side view**



**product finish**



The functional surfaces of our furniture are covered in a copolymer-based thermoplastic powder coating. Thermoplastic is environmentally safe, the coating will never fade, crack, peel, warp, or discolor for the life of the product. Thermoplastic is applied at a thickness of 25-30 mils.



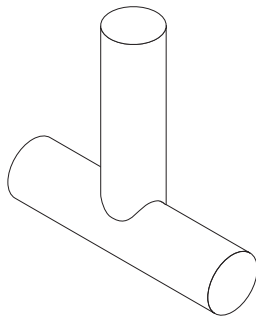
Tubular legs and understructure parts are made from galvanized steel and are finished with black polyester powder coating.

**mounting types**

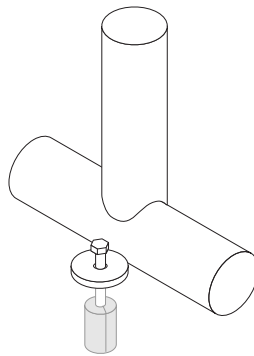
P = Portable : no mount

SM = Surface Mount:  
concrete anchors  
through discs welded  
to legs

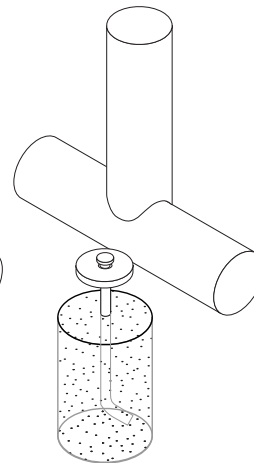
IG= In-Ground:  
J-rods set in concrete  
through discs welded  
to legs



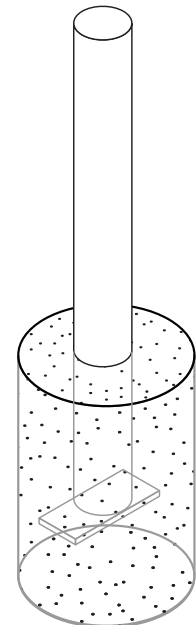
PORTABLE



SURFACE MOUNT



IN-GROUND



IN-GROUND