

SPEC SHEET: LC120-STD-IG

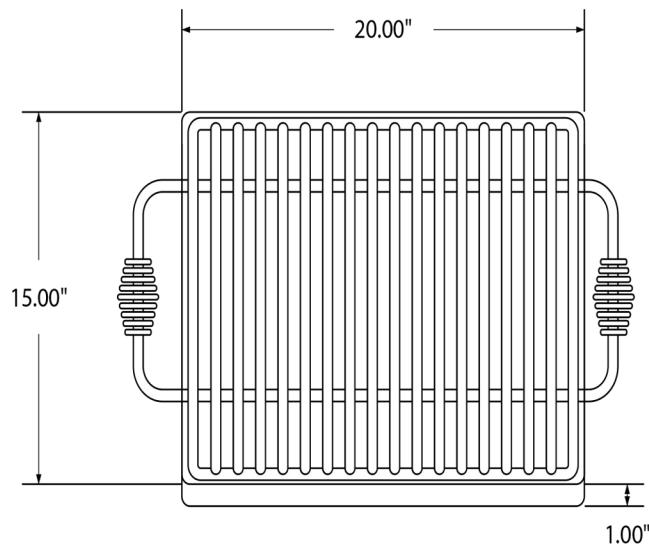
STANDARD HIGH-TEMP ENAMEL GRILL *IN-GROUND*

Wt. 81 lbs

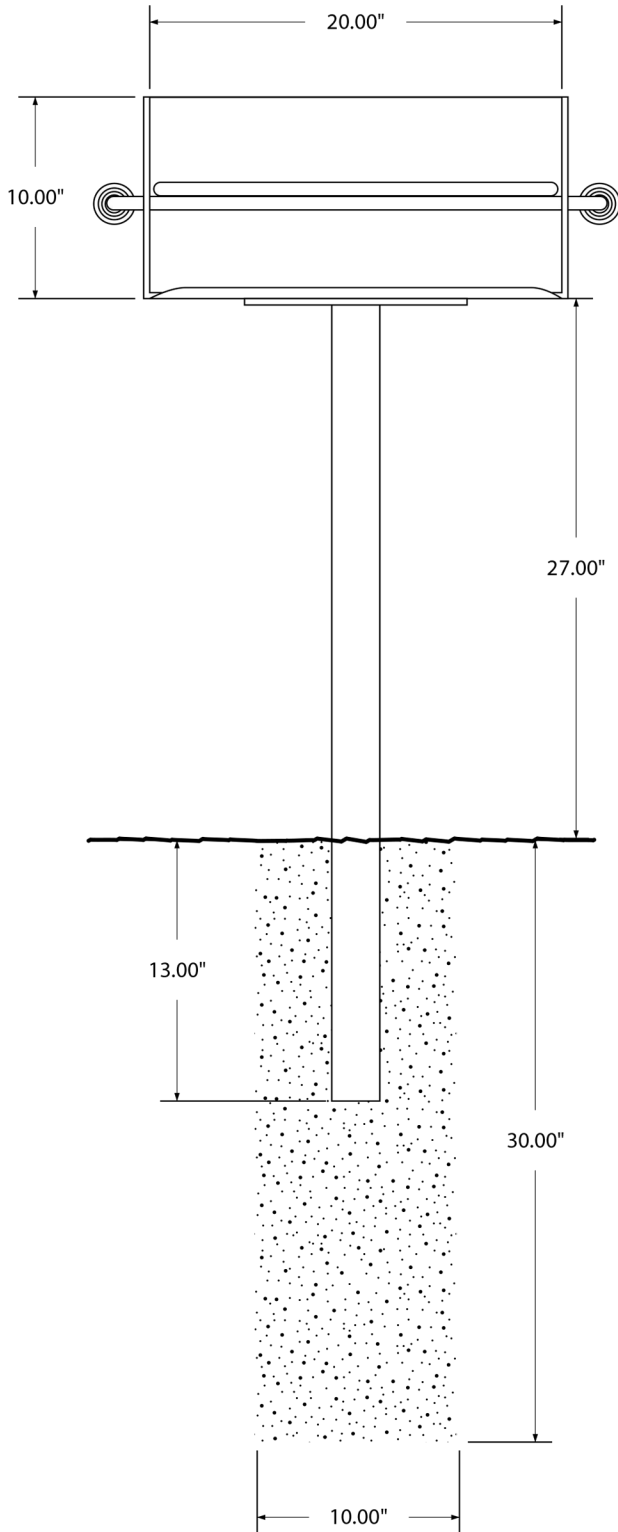
photo



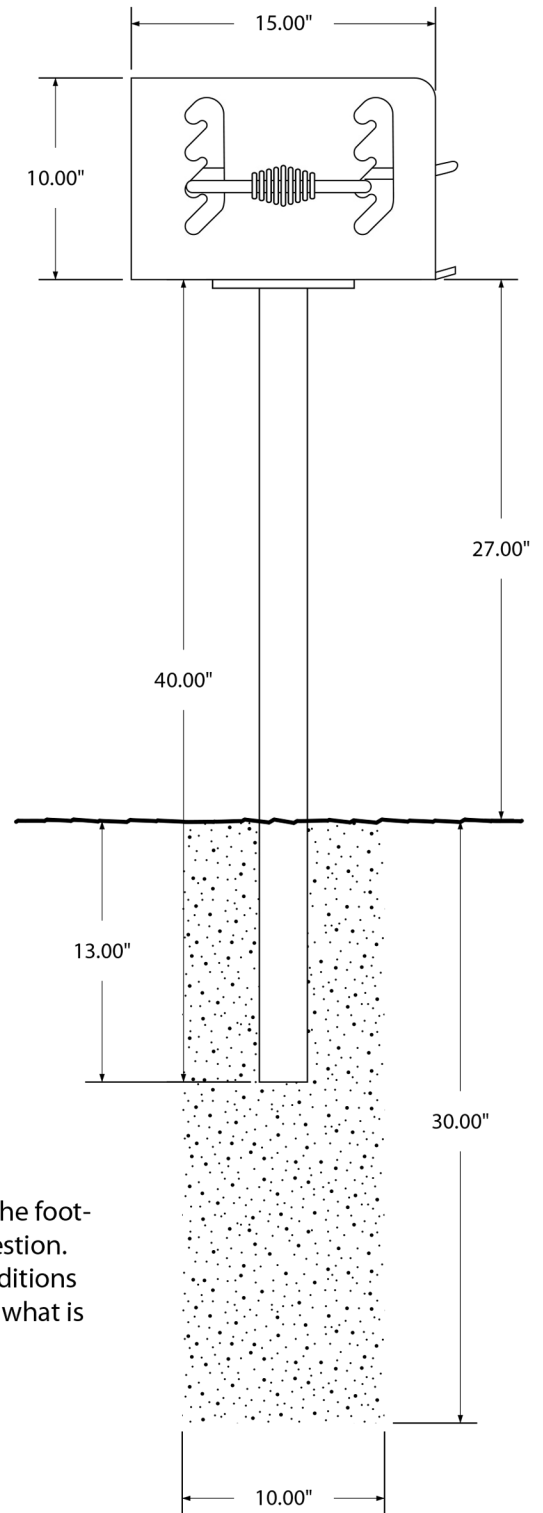
top view



front

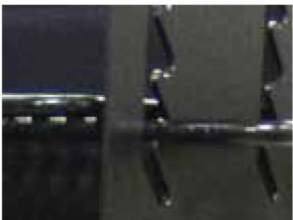


side



NOTE: The size of the footing is only a suggestion. Your local soil conditions should determine what is necessary.

product details



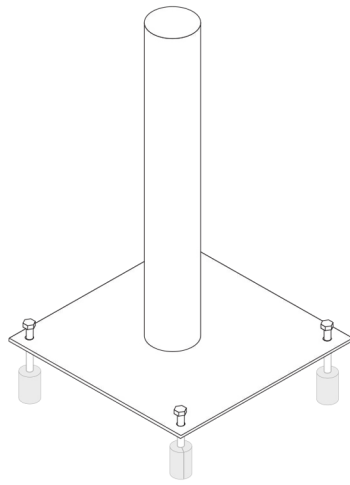
Details:

- Firebox & post high-temp enamel
- Cooking area 300 sq in
- Grill body is made of $\frac{3}{16}$ " steel
- Grill grate is made of $\frac{1}{2}$ " rods on 1" centers and is non-removable
- Cool-grip spring handles on $\frac{5}{8}$ " rod
- Adjustable grate height: $3\frac{1}{2}$ ", $5\frac{1}{4}$ ", 7 ", $8\frac{3}{4}$ "
- 45° chamfer on ash lip
- Optional shelf 7" x $19\frac{1}{4}$ " - 7 lbs

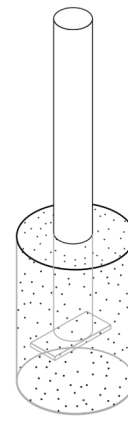
mounting types

SM = Surface Mount:
12" x 12" plate

IG= In-Ground
single post



SURFACE MOUNT



IN-GROUND