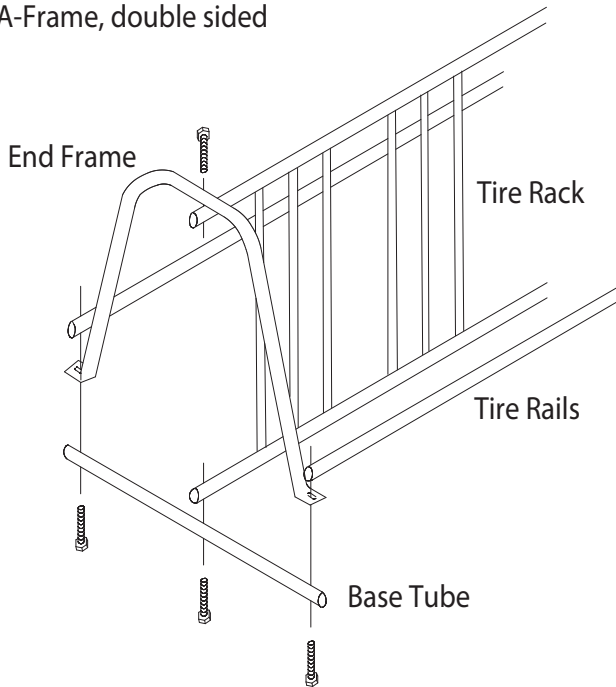


ASSEMBLY INSTRUCTIONS: UJKKJ

A-Frame, double sided



Step 1:

Attach the end frames to the top of the tire rack.

Step 2:

Attach base tubes to the bottom of the tire rack.

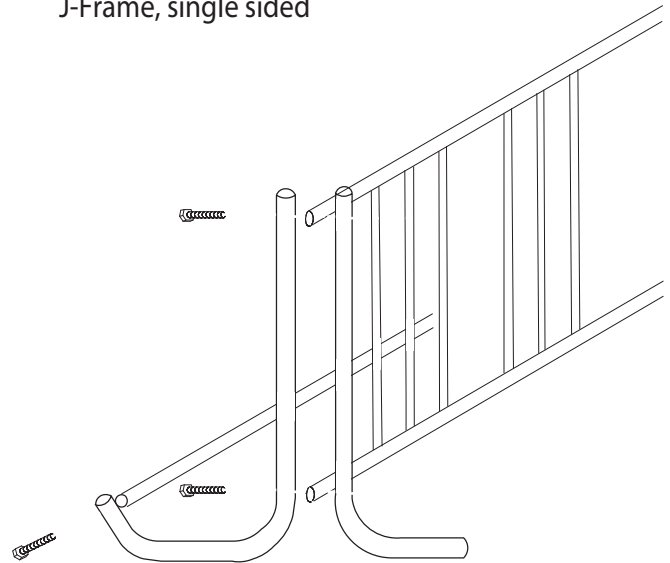
Step 3:

Attach the tire rails to the base tube, making sure to put end frame tab inbetween.

Step 4:

Level and tighten all bolts.

J-Frame, single sided



Step 1:

Attach the end frames to the top and bottom of the tire rack.

Step 2:

Attach tire rails to the top side of the end frames.

Step 3:

Level and tighten all bolts.

