

SPEC SHEET: SQ46P

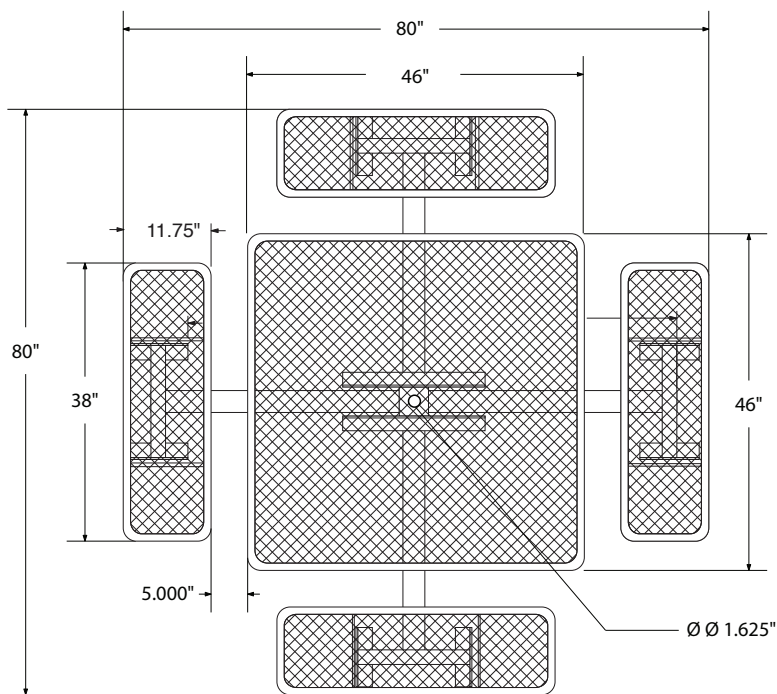
46' SINGLE POST SQUARE TABLE

Wt. 265 lbs

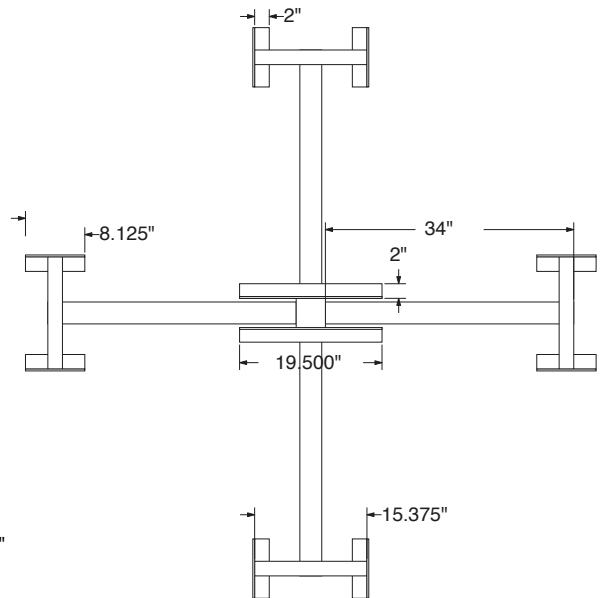
photo



top view

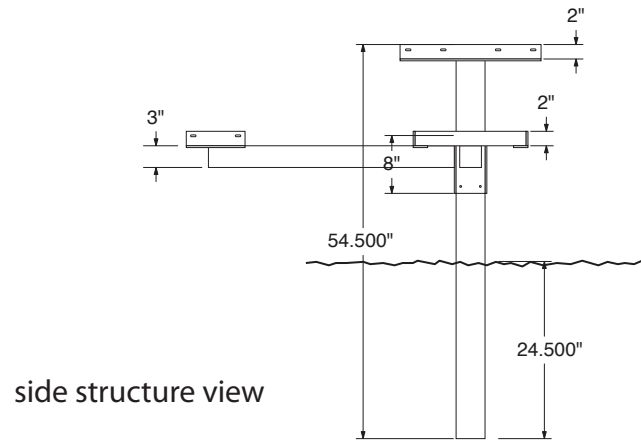
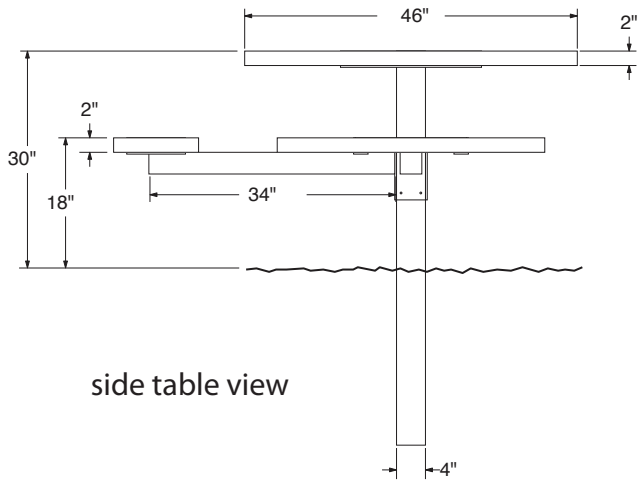


TOP TABLE VIEW

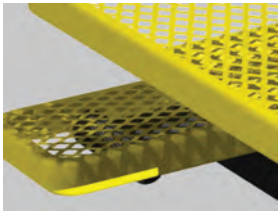


TOP STRUCTURE VIEW

side view



product finish



Coated Surfaces:

- Thermoplastic coated
- Copolymer-based, environmentally safe
- Does not fade, crack, peel or warp
- Applied at a thickness of 25-30 mils.
- 5 Year warranty on coating



Construction:

- Seats and tops - 9 gauge steel
- 3" & 4" tubular understructure
- Understructure - galvanized steel
- Understructure finish - black polyester powder coated
- Nuts, washers and bolts - galvanized steel

mounting types

IG= In-Ground:
Single post