

SPEC SHEET: SQ46P-PERF

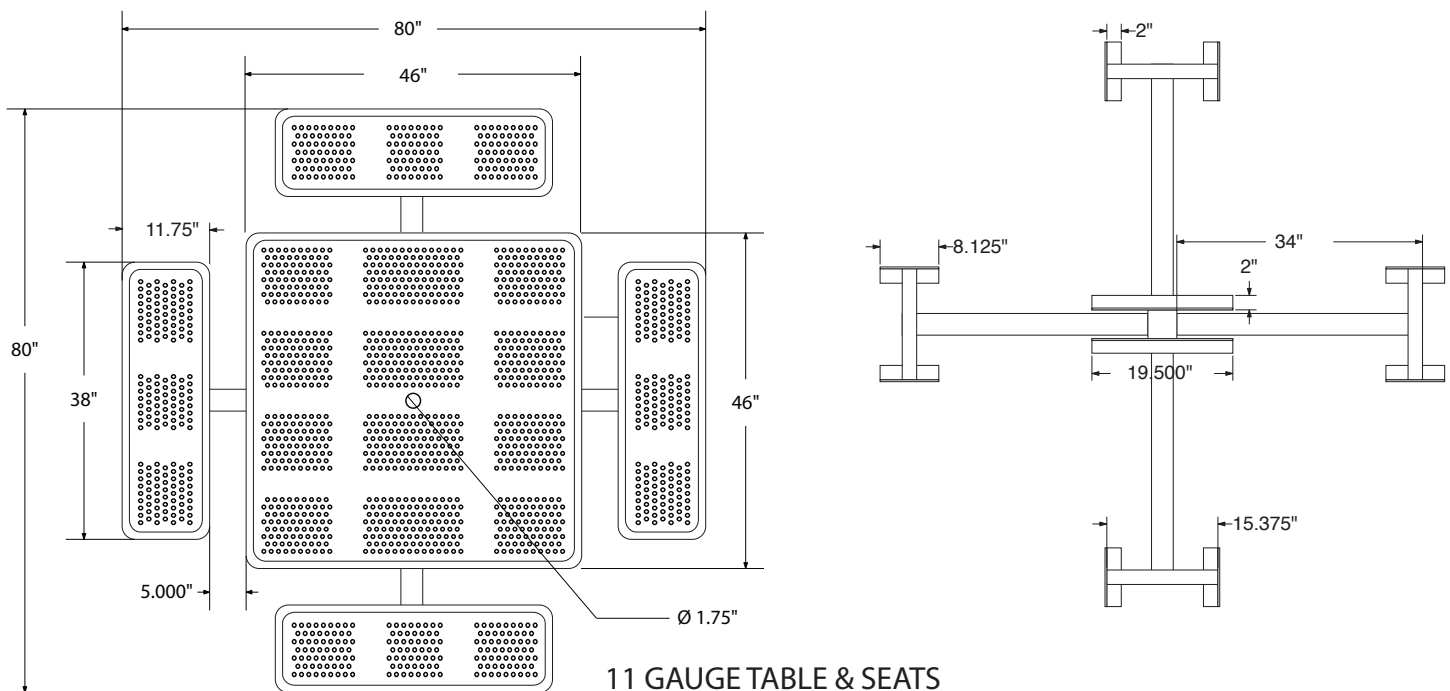
46' SINGLE POST SQUARE TABLE

Wt. 275 lbs

photo



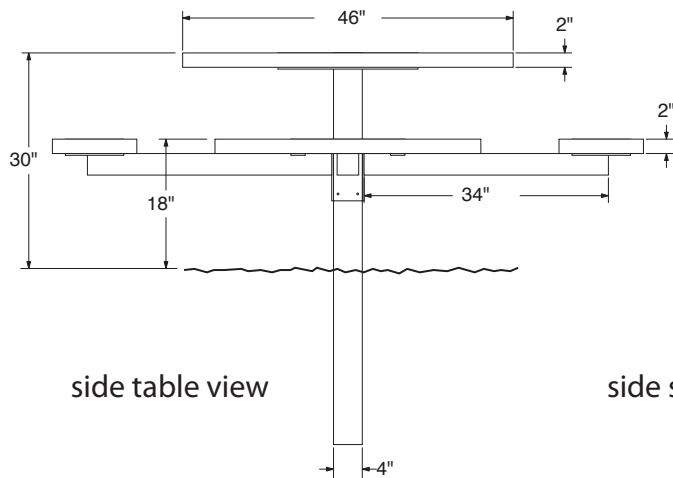
top view



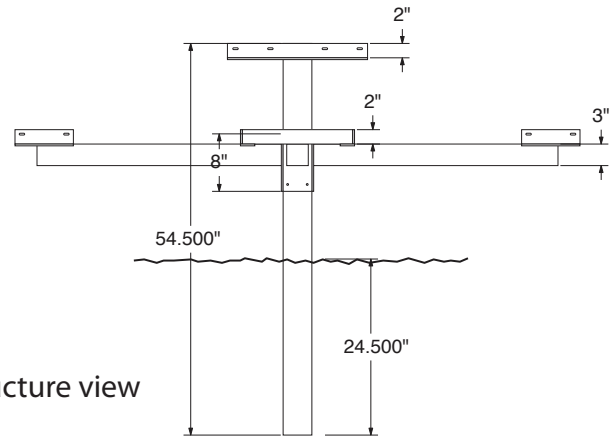
TOP TABLE VIEW

TOP STRUCTURE VIEW

side view



side table view



side structure view

product details



Coated Surfaces:

- Thermoplastic coated
- Copolymer-based, environmentally safe
- Does not fade, crack, peel or warp
- Applied at a thickness of 25-30 mils.
- 5 Year warranty on coating



Construction:

- Seats and tops - 11 gauge steel
- 3" & 4" tubular understructure
- Understructure - galvanized steel
- Understructure finish - black polyester powder coated
- Nuts, washers and bolts - galvanized steel

mounting types

IG= In-Ground:

Single post